



**Phaser® 1235 Color Printer
Advanced Features and Troubleshooting Manual**

Copyright © Xerox Corporation. Unpublished rights reserved under the copyright laws of the United States. Contents of this publication may not be reproduced in any form without permission of Xerox Corporation.

Phaser®, PhaserShare®, ColorStix®, the TekColor® icon, Made For Each Other®, DocuPrint®, WorkSet®, Ethernet®, the stylized X, and XEROX® are registered trademarks of Xerox Corporation. PhaserLink™, PhaserPort™, PhaserPrint™, PhaserSym™, PhaserTools™, InfoSMART™, and the TekColor™ name are trademarks of Xerox Corporation. TekColor CareSM and RealSUPPORTSM are service marks of Xerox Corporation.

Adobe®, Acrobat®, Acrobat® Reader, Illustrator®, PageMaker®, Photoshop®, and PostScript®, ATM®, Adobe Garamond®, Birch®, Carta®, Mythos®, Quake®, and Tekton® are registered trademarks and Adobe Jenson™, Adobe Brilliant Screens™ technology, and IntelliSelect™ are trademarks of Adobe Systems Incorporated or its subsidiaries which may be registered in certain jurisdictions.

Apple®, LaserWriter®, LocalTalk®, Macintosh®, Mac® OS, AppleTalk®, TrueType2®, Apple Chancery®, Chicago®, Geneva®, Monaco®, and New York® are registered trademarks, and QuickDraw™ is a trademark of Apple Computer Incorporated.

Marigold™ and Oxford™ are trademarks of AlphaOmega Typography.

Avery™ is a trademark of Avery Dennison Corporation.

FTP® Software is a registered trademark of FTP Software, Incorporated.

PCL® and HP-GL® are registered trademarks of Hewlett-Packard Corporation.

Hoefler Text was designed by the Hoefler Type Foundry.

ITC Avant Guard Gothic®, ITC Bookman®, ITC Lubalin Graph®, ITC Mona Lisa®, ITC Symbol®, ITC Zapf Chancery®, and ITC Zapf Dingbats® are registered trademarks of International Typeface Corporation.

Bernhard Modern™, Clarendon™, Coronet™, Helvetica™, New Century Schoolbook™, Optima™, Palatino™, Stempel Garamond™, Times™, and Univers™ are trademarks of Linotype-Hell AG and/or its subsidiaries.

MS-DOS® and Windows® are registered trademarks of Microsoft Corporation.

Wingdings™ in TrueType® format is a product of Microsoft Corporation. WingDings is a trademark of Microsoft Corporation and TrueType is a registered trademark of Apple Computer, Inc.

Albertus™, Arial™, Gill Sans™, Joanna™, and Times New Roman™ are trademarks of Monotype Corporation.

Antique Olive® is a registered trademark of M. Olive.

Eurostile™ is a trademark of Nebiolo.

Novell® and NetWare® are registered trademarks of Novell, Incorporated.

Sun®, Sun Microsystems®, and Sun Microsystems Computer Corporation® are registered trademarks of Sun Microsystems, Incorporated. SPARC® is a registered trademark of SPARC International, Incorporated. SPARCstation™ is a trademark of SPARC International, Incorporated, licensed exclusively to Sun Microsystems, Incorporated.

UNIX® is a registered trademark in the US and other countries, licensed exclusively through X/Open Company Limited.

Other marks are trademarks or registered trademarks of the companies with which they are associated.

PANTONE® Colors generated by the Phaser 850 Color Printer are four- and/or three-color process simulations and may not match PANTONE-identified solid color standards. Use current PANTONE Color Reference Manuals for accurate colors.

PANTONE Color simulations are only obtainable on this product when driven by qualified Pantone-licensed software packages. Contact Pantone, Inc. for a current list of qualified licensees.

All trademarks noted herein are either the property of Xerox Corporation, Pantone, Inc., or their respective companies.

© Pantone, Inc., 1988.

Warranty

Printer Warranty

Xerox warrants that the Phaser 1235 Printer will be free from defects in materials and workmanship for a period of one (1) year from the date of shipment. If the product proves defective during the warranty period, Xerox, at its option, will:

- (1) repair the product by means of telephone support or on-site service at no charge for parts or labor,
- (2) replace the product with a comparable product, or
- (3) refund the amount paid for the product, less a reasonable allowance for usage, upon its return.

Under this product warranty, Customer must notify Xerox or its authorized service representative of the defect before the expiration of the warranty period. To obtain service under this warranty, the Customer must first contact Xerox Telephone Support personnel or that of its authorized service representative. Telephone Support personnel will work to resolve issues professionally and quickly, however the Customer must reasonably assist Xerox or its authorized representative.

If telephone support is unsuccessful, Xerox or its authorized service representative will provide warranty repair at Customer's site without charge as provided below.

Service is available within the customary on-site service area in the United States and Canada for products purchased in the United States and Canada.

Inside the European Economic Area, service is available within the customary on-site service area for products purchased in the EEA

Outside the US, Canada, & EEA, service is available within the customary on-site service area in the country of purchase

A description of the customary on-site service area may be obtained from the local Xerox Customer Support Center or authorized Xerox distributor. On-site service is at Xerox or its authorized service representative's sole discretion and is considered an option of last resort.

If the Customer's product contains features that enable Xerox or its authorized service representative to diagnose and repair problems with the product remotely, Xerox may request that Customer allow such remote access to the product.

In the maintenance of the product, Xerox may use new or equivalent to new parts or assemblies for equal or improved quality. All defective parts and assemblies become the property of Xerox. Xerox, at its option, may request the return of these parts.

Consumables Warranty

Xerox warrants that toner cartridges will be free from defects in materials and workmanship for a period of one (1) year from date of installation. All other Customer Replaceable Consumables (CRCs) will be covered for a period of ninety (90) days (six (6) months where longer periods are required by law) from the date of installation, but not more than one (1) year from date of shipment. Under this warranty, the Customer must notify Xerox or its authorized service representative of the defect before the expiration of the warranty period. XEROX MAY REQUIRE THAT THE DEFECTIVE CRC BE RETURNED TO A DESIGNATED XEROX DEPOT OR THE XEROX REPRESENTATIVE FROM WHICH THE CRC WAS ORIGINALLY PURCHASED. Claims will be handled according to the current Xerox procedure.

These warranties shall not apply to any defect, failure or damage caused by improper use or improper or inadequate maintenance and care. Xerox shall not be obligated under these warranties:

- a) to repair damage resulting from attempts by personnel other than Xerox representatives to install, repair or service the product unless directed by a Xerox representative;
- b) to repair damage, malfunction, or degradation of performance resulting from improper use or connection to incompatible equipment or memory;
- c) to repair damage, malfunction, or degradation of performance caused by the use of non-Tektronix/Xerox printer supplies or consumables or the use of Tektronix/Xerox supplies not specified for use with this printer;
- d) to repair a product or CRC that has been modified or integrated with other products when the effect of such modification or integration increases the time or difficulty of servicing the product or CRC;
- e) to perform user maintenance or cleaning or to repair damage, malfunction, or degradation of performance resulting from failure to perform user maintenance and cleaning as prescribed in published product materials;
- f) to repair damage, malfunction, or degradation of performance resulting from use of the product in an environment not meeting the operating specifications set forth in the user manual;
- g) to repair this product after the limit of its duty cycle has been reached; all service thereafter shall be billed on a time and material basis;
- h) to replace CRCs that have been refilled, are used up, abused, misused, or tampered with in any way.

THE ABOVE WARRANTIES ARE GIVEN BY XEROX WITH RESPECT TO THIS PRODUCT AND ITS CUSTOMER REPLACEABLE CONSUMABLES IN LIEU OF ANY OTHER WARRANTIES, EXPRESS OR IMPLIED. XEROX AND ITS VENDORS DISCLAIM ANY IMPLIED WARRANTIES OF MERCHANTABILITY OR FITNESS FOR A PARTICULAR PURPOSE OR ANY SIMILAR STANDARD IMPOSED BY APPLICABLE LEGISLATION. XEROX' RESPONSIBILITY TO REPAIR, REPLACE, OR OFFER A REFUND FOR DEFECTIVE PRODUCTS AND CUSTOMER REPLACEABLE CONSUMABLES IS THE SOLE AND EXCLUSIVE REMEDY PROVIDED TO THE CUSTOMER FOR BREACH OF THESE WARRANTIES. XEROX AND ITS VENDORS WILL NOT BE LIABLE FOR ANY INDIRECT, SPECIAL, INCIDENTAL OR CONSEQUENTIAL DAMAGES (INCLUDING LOSS OF PROFITS) IRRESPECTIVE OF WHETHER XEROX OR THE VENDOR HAS ADVANCE NOTICE OF THE POSSIBILITY OF SUCH DAMAGES.

For the software warranty please see the end user license agreement included with the software.

If you are an Australian consumer, you should be aware that the Trade Practices Act 1974 and equivalent State and Territory legislation (collectively "the Acts") contain special provisions designed to protect Australian consumers. Nothing in any Fuji Xerox warranty material excludes or limits the application of any provision of any of the Acts, where to do so would contravene the Acts or cause any part of this warranty to be void. In this warranty material, an implied condition or warranty, the exclusion of which from a contract with a "Consumer" (as defined in the Acts) would contravene any provision of the Acts or cause any part or all of this warranty to be void, is called a "Non-excludable Condition". To the full extent permitted by law, Fuji Xerox's sole and total liability to the customer for a breach of any Non-excludable Condition (including for any consequential loss suffered by the customer) is limited, except as otherwise stated herein, to (at Fuji Xerox' option) replacing or repairing the goods, or resupplying, or paying the cost of the resupply of, the services, in respect of which the breach occurred. Subject to the above, all conditions and warranties which would or might otherwise be implied in a Consumer contract, whether by operation of statute, inference from circumstances, industry practice or otherwise, are excluded.

User safety summary

Your printer and the recommended consumable supplies have been designed and tested to meet strict safety requirements. Attention to the following notes will ensure the continued safe operation of your printer.

Notes, Cautions and Warnings

The following special tags are used to denote information of importance to the user:

Note:

Information about your printer that is particularly helpful or useful.

Caution:

Conditions that can result in damage to the product.

Warning:

Conditions that can result in personal injury or loss of life.

Electrical Safety

- Use the power cord supplied with your printer.
- Do not use a ground adapter plug to connect the printer to a power source receptacle that lacks a ground connection terminal.
- Plug the power cable directly into a properly grounded electrical outlet. Do not use an extension cord. If you do not know whether an outlet is grounded, ask an electrician to check the outlet

Warning

Avoid the potential of severe electrical shock by ensuring the printer is properly grounded.

- Do not place the printer where people may step on the power cable.
- Do not place objects on the power cable.
- Do not obstruct the ventilation openings. These openings are provided to prevent overheating of the printer.

Warning

Do not push objects into slots and openings on the printer. Making a contact with a voltage point or shorting out a part could result in fire or electrical shock.

- If you notice unusual noises or odors, switch off the printer power immediately. Disconnect the power cable from the electrical outlet. Call an authorized service representative to correct the problem.
- The power cord is attached to the printer as a plug-in device at the back of the printer. In the event it is necessary to remove all electrical power from the printer, disconnect the power cord from the power receptacle.

- If any of the following conditions occur, switch off the printer power immediately, disconnect the power cord and call an authorized service representative.
 - The power cable is damaged or frayed.
 - Liquid is spilled into the printer.
 - The printer is exposed to water.
 - Any part of the printer is damaged.

Maintenance Safety

- Do not attempt any maintenance procedure that is not specifically described in the documentation supplied with your printer.
- Do not use aerosol cleaners. The use of supplies that are not approved may cause poor performance and could create a dangerous condition.
- Do not remove the covers or guards that are fastened with screws unless you are installing optional equipment and are specifically instructed to do so. Power should be **OFF** when performing these installations. Except for user-installable options, there are no parts that you can maintain or service behind these covers.

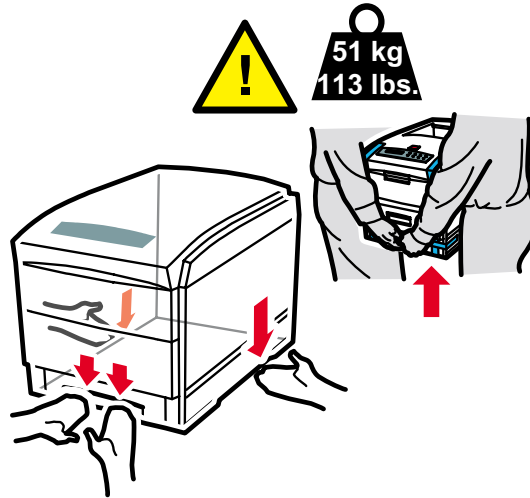
Operational Safety

Your printer and supplies were designed and tested to meet strict safety requirements. These include safety agency examination, approval and compliance with established environmental standards.

Your attention to the following safety guidelines will help to ensure the continued safe operation of your printer.

- Use the material and supplies specifically designed for your printer. The use of unsuitable materials may result in poor performance and possibly a hazardous situation.
- Follow all warnings and instructions marked on, or supplied with, the printer, options and supplies.
- Place the printer in a dust free area where the temperature range is 10 to 32° C (50° to 90° Fahrenheit) and the relative humidity is 10 percent to 85 percent.
- Place the printer in an area where there is adequate space for ventilation, operation and servicing. The recommended minimal spacing is 90 cm (36 in.) in front of and above the printer, 60 cm (24 in.) behind the printer and 30 cm (12 in.) on each side of the printer. Do not block or cover the slots and openings on the printer. Without adequate ventilation, the printer may overheat.
- For optimum performance, use the printer at elevations below 2,000 meters (6,560 ft.). Performance may diminish at elevations between 2,000 meters (6,560 ft.) and 3,000 meters (9,840 ft.). Use at elevations above 3,000 meters (9,840 ft.) exceeds operability limits.
- Do not place the printer near a heat source.
- Do not place the printer in direct sunlight.
- Do not place the printer in line with the cold air flow from an air conditioning system.

- Place the printer on a level, solid surface with adequate strength for the weight of the machine. The base printer weight without any packaging materials is 51 kg (113 lbs.).
- The printer is heavy and must be lifted by two people. The illustration below shows the proper technique for lifting the printer.



- Exercise care in moving or relocating the printer, it is front-heavy and could tip forward. Follow the recommended procedure when moving the printer from one location to another. Refer to the *Phaser 1235 Network Color Printer Setup Instructions*.
- Do not place any liquids on the printer.

Warning

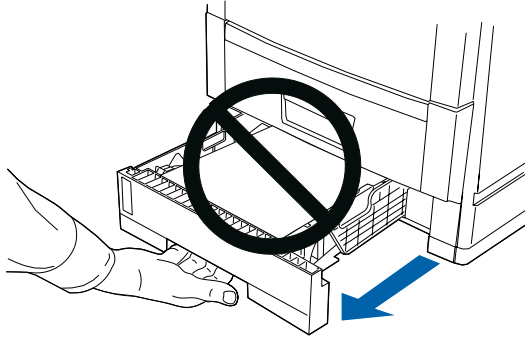
Be careful when working in areas inside the printer identified with a warning symbol. These areas may be very hot and could cause personal injury.

- Wait 10-15 seconds between switching the printer off and on.
- Keep hands, hair, neckties, etc., away from the exit feed rollers.

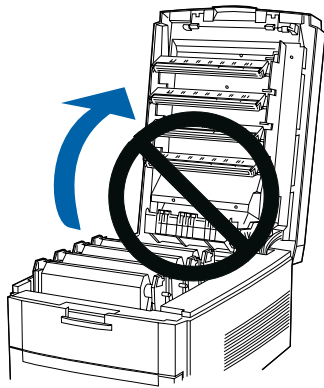
While printing, do not do any of the following:

- Do not remove the media source tray that you have selected in the driver or front panel.

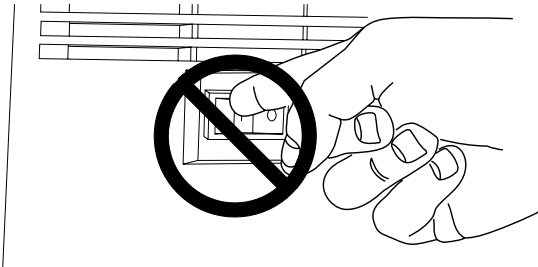
- Do not remove any trays above the currently selected media source tray.



- Do not open the covers while printing.



- Do not switch off the printer power while printing.



- Do not move the printer while it is printing.

Symbols as marked on product:

DANGER high voltage:



0730-05

Protective ground (earth) terminal:



0730-06

Hot surface on or in the printer. Use caution to avoid personal injury:



0730-07



0730-08



0730-09

Use caution. Refer to the manual(s) for information:



0730-10

Warning

If the product loses the ground connection, usage of knobs and controls (and other conductive parts) can cause an electrical shock. Electrical product may be hazardous if misused.

Warning

For your protection, do not defeat any interlocks.

Contents

Getting to Know Your Printer	1
Introduction	1
Printer Components	2
Base Configuration	2
Internal Components	3
Printer Options	4
Printer Features	5
Media Handling	5
Input Sources	5
Output Destinations	5
2-Sided Printing	6
Connectivity	6
PDLs and Fonts	7
Resolution	7
Print Speed	7
Color-Management Systems	7
Convenience Features	8
SnapColor	8
Fax Friendly	8
Automatic Transparency Detection	8
Front Cover Different	8
Separator Pages	8
Secure Print	8
Proof Print	8
Automatic Image Correction	9
Smooth Low-Resolution Images	9
Event Notification by Email	9
Remote Printing by Email	9
Printer Documentation	10
Printed Documentation	10
Printer Management Software CD-ROM	11
Using the CD-ROMs	11
Loading Print Media	13
Selecting Print Media	13
Storing Print Media	16
Loading Print Media	16
Tray 1, 2, or 3	16
Multi-Sheet Bypass Feeder (MBF)	19

Printing	23
Printing Options	23
Printer Drivers	24
Installing the Printer Drivers	24
Configuring the Printer Drivers	25
Printer Driver Features List	26
Printer Driver Feature Descriptions	27
Automatic Image Correction	27
Black and White printing	27
Black Overprint	27
Booklet Creation	28
Collation	29
Color Modes	30
Cover page	30
Duplex (2-Sided Printing)	31
Front cover different	31
First page different	32
Font substitution table	32
Front Cover	32
Smooth Low Resolution Images	32
Image Orientation	32
Image Quality	32
Mirror Image	32
N-Pages Up	32
Multiple Pages Per Side	33
Negative Image	33
Orientation	34
Policy (Page)	35
Print Mode	35
Print on Both Sides	35
Process Grayscale Graphics	35
Proof Print	36
Secure Print	36
Separators	36
TrueType Options	37
Watermark	38
Managing Printer Usage	39
Introduction	39

Using the Front Panel	39
Front Panel Layout	39
Indicator Lights	40
Display	40
The Buttons	41
Front Panel Operations.....	44
Basic Menu Navigation Technique	44
Printing Printer Reports	45
Printing Secure Print and Proof Print Jobs	46
Deleting Secure Print and Proof Print Jobs.....	47
Setting Network Addressing.....	48
Menu System	50
Menu Hierarchy.....	50
Menus, Items and Values	52
Special Operating Modes	69
Front Panel Locks	69
Using Printer Management Software.....	70
Network Printer Services	70
CentreWare DP	70
CentreWare MC.....	70
CentreWare Internet Services.....	71
Setup	71
Maintaining the Printer.....	73
Regular Printer Maintenance.....	73
Cleaning the Printer	73
Adjusting Color Density and Balance.....	74
Printing a Test Page	74
What To Look For	75
Interpreting the Test Print.....	75
Making Adjustments.....	76
Black Density Adjustment.....	76
Color Density Adjustment.....	76
Color Balance Adjustment	77
Adjustment Recovery	77
Troubleshooting	79
Before You Begin Troubleshooting	79
Hardware	80
Software.....	80

Printer Maintenance.....	81
Customer-Replaceable Consumables (CRCs).....	81
Front Panel Messages.....	82
Printer Management	
Status Messages.....	90
Solving Printing Problems.....	98
Using Printer Options.....	101
Installation Precautions.....	101
Hard Drive.....	102
Installation.....	102
Disk Initialization.....	104
Downloading Fonts, Forms and Macros.....	104
Font Download Utility.....	104
FSDOWNLOAD Command.....	105
FSDELETE Command.....	107
Token Ring Card.....	108
Installation.....	108
Memory.....	110
Installation.....	110
Printer Specifications.....	113
Physical Specifications.....	113
Environmental Specifications.....	113
Temperature.....	113
Relative Humidity.....	113
Electrical Specifications.....	113
Performance Specifications.....	114
Resolution.....	114
Print Speed.....	114
Controller Specifications.....	114
Memory.....	114
Page Description Languages (PDL).....	114
Resident Fonts.....	114
Interfaces.....	114
Notices and Certifications.....	115
FCC Notices (USA).....	115
Radio Frequency.....	115
Certifications (Canadian).....	116
60 HZ, 115 V.....	116
European Markets.....	116

CE Certification	116
EN55022	116
Ordering Information	117
Upgrade Options	117
Supplies	117

Getting to Know Your Printer

Introduction

In this chapter, you will become familiar with the features of your printer and learn where to locate specific printer parts.

Before you use your printer, be sure to perform all the steps outlined in your printer's setup guide and connect the necessary cables.

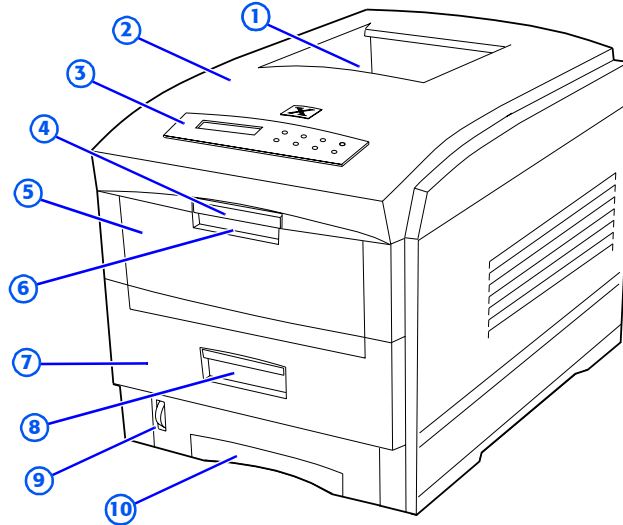
Your printer may also have one or more optional features already installed. First verify your exact equipment options before proceeding further. All optional features described in this manual are available for your printer and are user installable. For more information, refer to the *Phaser 1235 Color Printer User Guide*.

Printer Components

Base Configuration

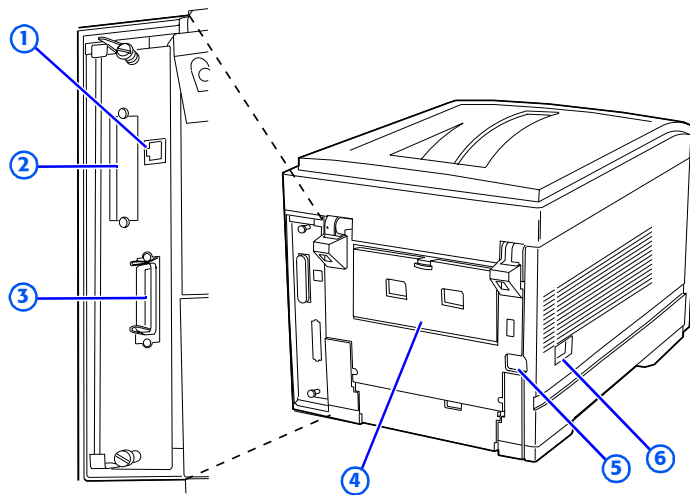
Front View

- 1 Output bin
(media delivered
face-down)
- 2 Top cover
(Cover A)
- 3 Front panel
- 4 Top cover release
- 5 Multi-sheet
Bypass Feeder
(MBF)
(shown closed)
- 6 Multi-sheet
Bypass Feeder
release
- 7 Front cover
(Cover B)
- 8 Front cover
release
- 9 Tray 1 level
indicator
- 10 Tray 1
(Universal Tray)



Rear View

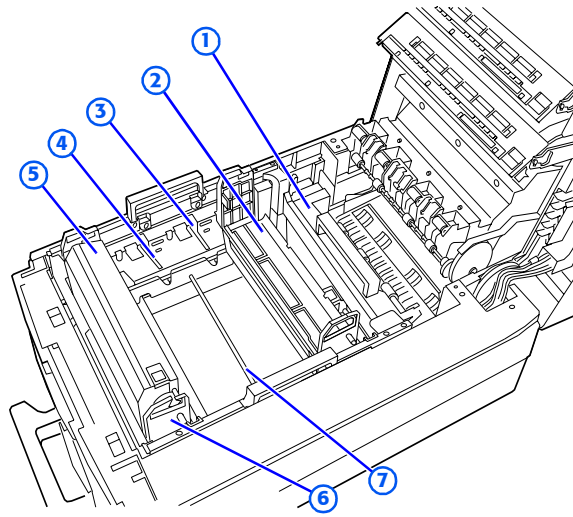
- 1 Ethernet UTP
connector
- 2 Optional interface
slot
- 3 Parallel connector
- 4 Face-up bin
(shown closed)
- 5 Power cord
receptacle
- 6 Power switch



Internal Components

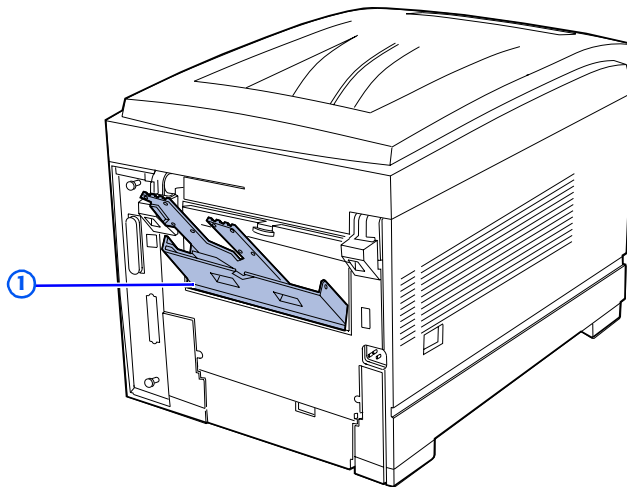
Top View

- 1 Fuser
- 2 Cyan imaging drum
- 3 Slot for magenta imaging drum
- 4 Slot for yellow imaging drum
- 5 Black toner cartridge (on top of black imaging drum)
- 6 Black imaging drum
- 7 Transfer belt (not visible when all four imaging drums are in place)



Rear View

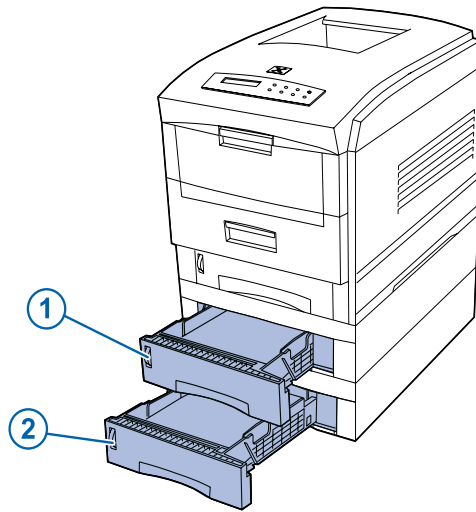
- 1 Face-up bin (shown open)



Printer Options

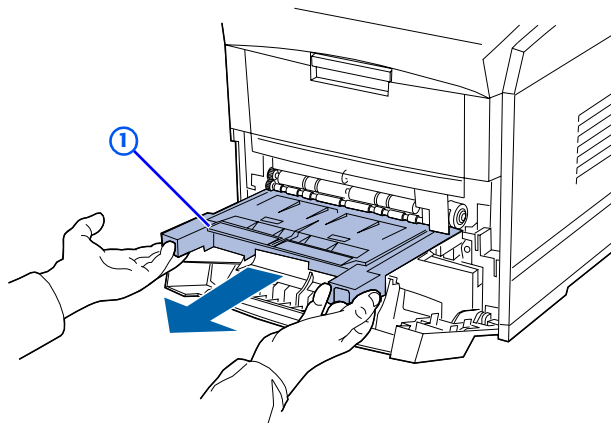
Optional Paper Trays

- 1 Tray 2
(530-sheet feeder)
- 2 Tray 3
(530-sheet feeder)



Duplex (2-Sided) Option

- 1 Duplex option
(shown partially pulled out)



Printer Features

Your printer has many special features that enable you to achieve the results you need for your specific print job. Features vary according to the options installed on your printer. This section will help you become familiar with your printer's features and capabilities.

Media Handling

Your printer has several media input sources and output destinations as described below.

Input Sources

- The standard **Multi-sheet Bypass Feeder (MBF)** functions as either a single-sheet manual-feed tray or a tray for up to 100 sheets of standard 20-lb. (75 g/m²) bond paper, up to 80 standard or premium transparency sheets and a smaller number of sheets of special media.
- **Tray 1** is the standard input tray that holds up to 530 sheets of 20-lb. (75 g/m²) bond paper or 175 standard or premium transparencies.
- **Tray 2** is the optional input tray installed immediately below Tray 1. It holds up to 530 sheets of 20-lb. (75 g/m²) bond paper. Transparencies are not supported from this tray.
- **Tray 3** is the optional input tray installed immediately below Tray 2. Like Tray 2, it holds up to 530 sheets of 20-lb. (75 g/m²) bond paper. Transparencies are not supported from this tray.

Trays 1, 2 and 3 all have paper-size sensing, low-paper sensing and tray-empty sensing. Paper levels are indicated on a gauge visible at the front of the tray. When the level reaches approximately 40 sheets, the **low paper** warning displays on the front panel.

The Multi-sheet Bypass Feeder (MBF) has tray-empty sensing, but not paper-size sensing.

Refer to *Loading Print Media* on page 13 for information on supported media and instructions on loading the trays.

Output Destinations

- The standard face-down bin (see *Front View* on page 2) holds up to 500 sheets and receives prints face-down. It has bin full detection.
- The face-up bin (see *Rear View* on page 3) holds up to 100 sheets and receives prints face-up (at the rear of the printer).

Note

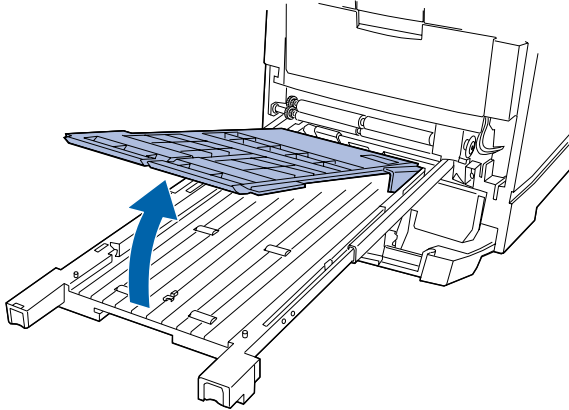
When the rear door is open, all prints are diverted to the face-up bin.

Note

Face-up bin does not have bin full detection.

2-Sided Printing

A duplex option is available for your printer which enables 2-sided printing on specific media types and sizes. For information on supported media, refer to *Supported media and media sizes* on page 15.



Connectivity

Your printer contains the following interfaces for connecting to a host computer or network:

- IEEE 1284 bi-directional parallel port (built-in)
- Ethernet 10BaseT and 100BaseTX (built-in)
- Token Ring (optional)

The following network operating systems are supported:

- NetWare 3.1x, 4.1x, 5.0, NDPS
- Windows 2000, NT 4.0
- Windows 95/Windows 98/ Windows ME/ Windows 2000
- OS/2 Warp/LAN Server
- Mac OS 7.6.1+, 8.x, 9.x, OSX
- UNIX (SCO, Red Hat Linux, Solaris, HP-UX, IBM/AIX, SGI, DEC)

For more detailed information about supported network environments and protocols, refer to the Phaser Quick Network Install Guide on your Printer Management Software CD-ROM.

PDLs and Fonts

Your printer includes the following Page Description Languages (PDLs):

- Adobe PostScript 3 with 136 resident Adobe Type 1 fonts
- An emulation of HP PCL5c with 46 resident Intellifont fonts
- PDF (requires optional hard disk drive)
- TIFF (requires optional hard disk drive)

The printer automatically detects a print job's PDL and uses to the appropriate PDL interpreter for processing.

Resolution

Your printer provides the following imaging resolutions:

- 600 x 600 dpi (dots per inch)
- 600 x 1200 dpi

Print Speed

The print speed depends on the model and configuration of your printer and the complexity of your print jobs. Maximum rated print speeds are:

- 20 pages per minute (ppm) for black only printing
- 12 ppm for color printing

Color-Management Systems

The following host-based color management systems can be used with the printer:

- PANTONE Color Matching System
- Apple ColorSync 2.5
- Image Color Matching (ICM) for Windows 95/Windows 98/ Windows ME, Windows NT and Windows 2000
- ICC (International Color Consortium)

Convenience Features

SnapColor

The SnapColor feature provides the optimum settings for documents with both graphics and text. This produces the best output for most documents.

Fax Friendly

The Fax Friendly feature changes your color document to patterns of black and white so that it can be used as a fax original or for black and white copying.

Automatic Transparency Detection

The printer detects transparencies and optimizes the printing process to ensure the best possible print quality. Transparencies can only be printed from Tray 1 or the Multi-sheet Bypass Feeder (MBF). Use only Phaser 35 series transparencies.

Front Cover Different

Prints the first page of your document from a different paper tray than the remaining pages. This permits you to specify the media size and type for the front cover page of a document.

Separator Pages

Inserts a blank separator sheet after each printed page or transparency. Job separators are available using the Windows 9x/ME/2000 driver. Job separators are placed at the end of each job. Separator pages can be taken from a different paper tray than the printed pages.

Secure Print

Use for printing confidential documents. Requires installation of the optional hard disk drive. Automatically holds your password-protected document within the hard disk drive. When you're ready to print your job, you go to the front panel and release the job for printing by entering the corresponding four-digit numeric password. Once the file is printed, it is automatically deleted from the hard disk drive.

Proof Print

Print and proof a single copy of a document before printing the remaining copies. Requires installation of the optional hard disk drive. The remaining sets are held in the printer's hard disk drive until you release the job for printing at the front panel by entering the corresponding four-digit numeric password.

Automatic Image Correction

Optimizes printing of photographs or bitmapped images. It enhances RGB images if the exposure level, color balance, sharpness, brightness, or contrast settings in the original image have not been optimized.

Smooth Low-Resolution Images

Enhances low-resolution graphics. Ideal for images from the World Wide Web.

Event Notification by Email

Sends an email message to your workstation when the printer requires attention — for example, low/no paper, low/no toner, etc. To use this feature, establish a mail account for the printer and configure the Xerox Mailinx feature in *CentreWare Internet Services*. (See the *CentreWare Internet Services User Guide* located on the Phaser 1235 Color Printer CD-ROM for more information.)

Remote Printing by Email

Configure the printer with an email address to enable remote submission of print jobs by email. You can use your favorite email program to email print jobs to the printer. To use this feature, establish a mail account for the printer and configure the Xerox Mail Port Monitor. (See the *CentreWare Internet Services User Guide* located on the Printer Management Software CD-ROM for more information.)

Printer Documentation

Documentation for your printer is provided in either printed or electronic form and is also available on the Xerox web site: www.xerox.com/officeprinting/1235support.

Printed Documentation

Your printer was packaged with the following pieces of printed documentation:

- *Setup Poster* — shows you how to get your printer up and running.
- *User Guide* — provides information on day-to-day printer operation.

CD-ROM Documentation

Your printer was packaged with two CD-ROMs:

Phaser 1235 Color Printer CD-ROM

This CD-ROM contains the following documentation:

- *Setup Poster* — shows you how to get your printer up and running.
- *User Guide* — provides information on day-to-day printer operation.
- *Advanced Features and Troubleshooting Manual* (this book)
- Software Install Notes ReadMe
- Internet Services Help

Note

Printer drivers are also contained on the Phaser 1235 Color Printer CD-ROM. The majority of driver documentation is provided in the help files included with the drivers.

- Supplies re-order document

Printer Management Software CD-ROM

This CD-ROM contains the following documentation and utilities:

- Phaser 1235 Color Printer Quick Network Install Guide
- CentreWare Internet Services User Guide
- CentreWare DP User Guide
- CentreWare MC User Guide
- Xerox PrinterMap User Guide
- Printer Map
- CentreWare DP
- CentreWare UNIX
- CentreWare for TTY UNIX Utilities

Using the CD-ROMs

All documentation on the CD-ROMs is provided as PDF (Portable Document Format) files and can be opened in Adobe Acrobat Reader (provided on the CD-ROM if you do not already have it installed on your computer).

These files contain hypertext links that enable you to jump from the Table of Contents or Index directly to the page where you are looking for information, as well as from page to page where information is cross-referenced. Simply move the cursor over a hypertext link and then click on the link to jump to the link's destination.

The PDF files also enable you to print the specific pages you need, rather than printing an entire chapter or manual.

Both the Phaser 1235 Color Printer CD-ROM and the Printer Management Software CD-ROM are provided with installation booklets in their respective cases. You can also refer to the ReadMe files on the CD-ROMs for more information.

Loading Print Media

Selecting Print Media

This chapter will help you understand what kinds of paper and other print media to use with the printer and also how to properly position the media in the printer's paper trays.

The printer supports a variety of media types and sizes.

- *Supported media and media sizes* on page 15 lists the sizes of paper, envelopes and other print media for use with the printer's paper trays.
- The printer supports weights of paper as follows:
 - 60-176 g/m² (16-47 lb. bond) via the standard and optional paper trays
 - 60-203 g/m² (16-54 lb. bond) via the Multi-sheet Bypass Feeder (MBF)
 - 75-105 g/m² (20-28 lb. bond) for automatic 2-sided printing via the MBF
- Media especially sensitive to curl (transparencies, labels, etc.) should be output to the face-up bin at the rear of the printer instead of to the standard face-down bin on top of the printer.
- To use the printer's automatic 2-sided printing capability:
 - The optional duplex module must be installed.
 - Only media with a weight from 75 to 105 g/m² (20-28 lb. bond) should be used. All other media weights must be printed 1-sided.

Note

Do not attempt 2-sided printing on transparencies, labels, envelopes, postcards, card stock or glossy paper. The Multi-sheet Bypass Feeder will not feed media heavier than 28 lb. bond paper.

- The paper must feed from a 530-sheet tray (Tray 1, Tray 2 or Tray 3). If paper is fed from the Multi-Sheet Bypass Feeder, it may not be printed 2-sided automatically, but may be printed 2-sided manually.
- Use only Xerox Phaser 35 Series transparencies as other transparencies may cause damage to the fuser. Any damage caused due to the use of unsupported media will not be covered by your printer's warranty.

Loading Print Media

Do not use the following media in the printer:

- Wrinkled, torn, or bent paper
- Moist or wet paper
- Curled paper
- Paper with an electrostatic charge
- Glued paper, or paper with gummed surfaces
- Paper with special coating
- Paper unable to withstand a temperature of 165 degrees C (302 degrees F)
- Thermal paper
- Carbon paper
- Carbonless paper
- Paper with paper fasteners, ribbons, tape, staples, etc. attached
- Heavily textured paper
- Label sheets that have previously been run through the printer and from which printed labels have been removed
- Paper with high rag content
- Transparencies other than Xerox Phaser 35 Transparencies

Note

Using media not recommended for the Phaser 1235 Color Printer may result in paper jams, print quality problems or printer damage. See *Ordering Information for Printer Supplies* on page 117

Supported media and media sizes

Media	Media Size	Can be printed from:				Can be printed:		Comments
		Tray 1	Tray 2	Tray 3	Multi-sheet Bypass Feeder	1-sided	2-sided	
A4	210 x 297 mm	•	•	•	•	•	• [†]	
A5	148 x 210 mm	•	•	•	•	•	• [†]	
A6	105 x 148 mm				•	•		
Statement	5.5 x 8.5 in.				•	•		
B5-JIS	182 x 257 mm	•	•	•	•	•	• [†]	
Executive	7.25 x 10.5 in.	•	•	•	•	•	• [†]	
Letter	8.5 x 11 in.	•	•	•	•	•	• [†]	
SP Folio	215 x 315 mm				•	•		
Legal	8.5 x 14 in.	•	•		•			
Ledger	11 x 17 in.	•	•		•			
UK Foolscap	8 x 13 in. 200 x 325 mm				•	•		
Folio	8.5 x 13 in.	•	•	•	•	•	• [†]	
8 x 10 in.	200 x 250 mm					•		If media is sensitive to curl, print to the face-up bin at the rear of the printer is recommended.
Envelopes								
COM-10	4.13 x 9.5 in.					•		Printing to the face-up bin at the rear of the printer is recommended.
Monarch	3.88 x 7.5 in.					•		
DL	110 x 220 mm							
JIS	175 x 250 mm							
C5	162 x 229 mm							
Transparencies								
A4	210 x 297 mm	•	•		•			Use only Xerox Phaser 35 Series transparencies. Printing to the face-up bin at the rear of the printer is recommended.
Letter	8.5 x 11 in.	•	•		•			
Labels								
A4	210 x 297 mm		•		•			Printing to the face- bin at the rear of the printer is recommended.
Letter	8.5 x 11 in.		•		•			

[†]If paper is fed from the Multi-sheet Bypass Feeder, it may NOT be printed 2-sided automatically, but may be printed 2-sided manually.

Storing Print Media

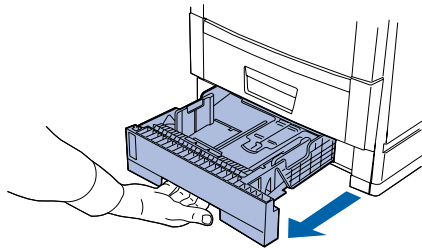
Print quality is optimized when paper and other print media are properly stored. Proper storage ensures optimum print-quality and reduces the frequency of paper jams.

- Store the media in its original packaging on a flat surface, in a relatively low-humidity environment.
- Avoid storing media in any way that will cause wrinkling, bending, curling, etc.
- Do not unwrap media until you are ready to use it and rewrap any media you are not using.
- Do not expose media to direct sunlight or high humidity.

Loading Print Media

Tray 1, 2, or 3

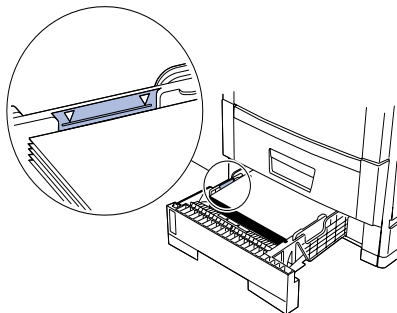
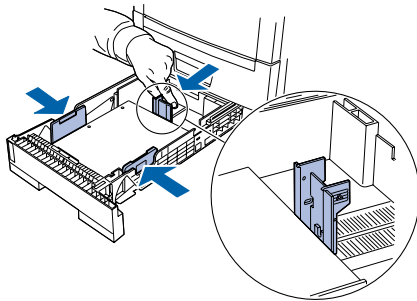
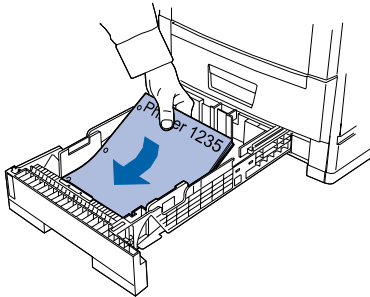
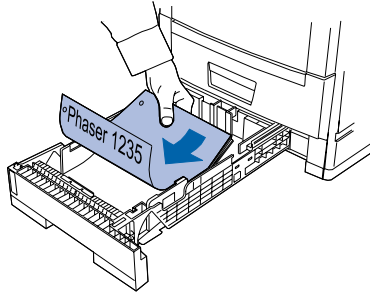
Each paper tray holds up to 530 sheets of 75 g/m² (20 lb. bond) paper. Capacity is reduced for heavier/thicker stock. To load print media in a paper tray, use the following steps. For more detailed instructions, see the *Phaser 1235 Color Printer User Guide*.



- 1 Pull out the tray.



- 2 Fan the media to release sheets that are stuck together.



- 3 Insert a stack of paper into the tray. For proper print orientation:

Single-sided printing

- The print side should be **face-down**.
- Drilled holes should be on your left as you face the printer.
- Letterhead should be at the front of the tray **face-down**.

Two-sided printing

- The print side for page one should be **face-up**.
- Drilled holes should be on your left as you face the printer.
- Letterhead should be at the back of the tray.

- 4 Adjust the width and length guides to fit the stack.

- 5 Observe the fill line on the left side of the Universal Tray.

Note

Do not load paper or transparencies above this line because you may damage the printer.

- Paper: 530 sheets (75 g/m²/ 20 lb. bond paper)
 - Transparency: 175 Standard or Premium sheets
- 6 Close the tray.

- 7 Set the Front Panel to match the loaded media type.
 - a. From the front panel press the **Menu**[†] buttons to scroll to **Tray Menu**.
 - b. Press the **Item** buttons to scroll to **Tray 1 Type** (if loading Tray 1).
 - c. Press the **Value** buttons to select an option listed:
 - Plain, 60-90 g/m² (16-24 lb. bond)
 - Preprinted, 60-90 g/m² (16-24 lb. bond)
 - Letterhead, 60-90 g/m² (16-24 lb. bond)
 - Transparency
 - Prepunched, 60-90 g/m² (16-24 lb. bond)
 - Bond, 60-90 g/m² (16-24 lb. bond)
 - Recycled, 60-90 g/m² (16-24 lb. bond)
 - Color, 60-90 g/m² (16-24 lb. bond)
 - Card Stock, 121-176 g/m² (45-65 lb. cover)
 - Light Card Stock, 90-120 g/m² (24-32 lb. bond)
 - d. Press the **Enter** button to save your selection.

Press the **On-line** button to exit the Menu.

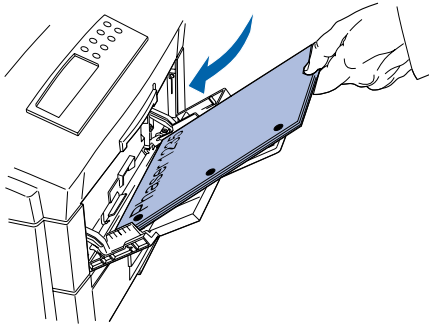
[†] Note that the buttons have graphics and numbers only (no written labels) on the 220 V models of the printer. Please see *Front Panel Layout* on page 39 for button numbers and graphics.

Multi-Sheet Bypass Feeder (MBF)

The Multi-sheet Bypass Feeder (MBF) will hold up to 100 sheets of 75g/m² (20 lb. bond). Capacity is less for heavier/thicker stock. To load print media in the Multi-Sheet Bypass Feeder, use the following steps. For more detailed instructions, see the *Phaser 1235 Color Printer User Guide*.

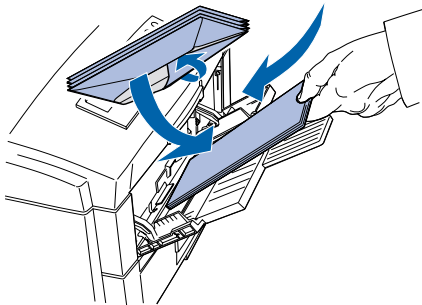


- 1 Open the Face-up output bin at the rear of the printer and swing out the two extensions where the media will exit (a). Open the Multi-sheet Bypass Feeder tray and unfold the single extension (b).

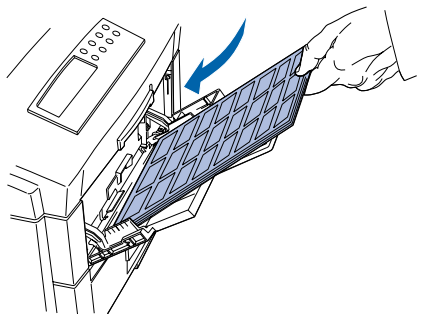


- 2 Insert the media and adjust the guide for the media width:

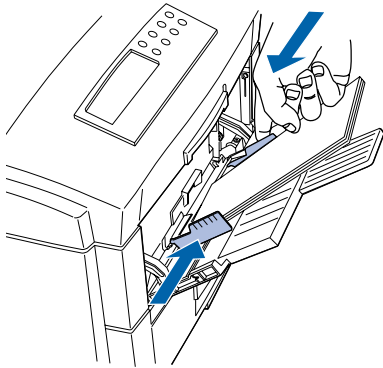
- Print side should be **face-up**.
- Letterhead should be **face-up** at the bottom of the tray.



- Tuck flaps inside envelopes to reduce wrinkling.
- Envelope flaps should be **face-down** on your right as you face the printer.



- Labels and Xerox Premium Business Cards should be **face-up**.



- 3 Adjust the guides to fit the media width.
- 4 Set the front panel to match the media type loaded in the MBF (Multi-Sheet Bypass Feeder).
 - a. From the front panel, press the **Menu**[†] buttons to scroll to **Tray Menu**.
 - b. Press the **Item** buttons to scroll to **MBF Type**.
 - c. Press the **Value** buttons to select an option listed:
 - Plain, 60-90 g/m² (16-24 lb. bond)
 - Preprinted, 60-90 g/m² (16-24 lb. bond)
 - Letterhead, 60-90 g/m² (16-24 lb. bond)
 - Transparency
 - Prepunched, 60-90 g/m² (16-24 lb. bond)
 - Labels, 121-203 g/m² (74-125 lb. tag)
 - Bond, 60-90 g/m² (16-24 lb. bond)
 - Recycled, 60-90 g/m² (16-24 lb. bond)
 - Color, 60-90 g/m² (16-24 lb. bond)
 - Card Stock, 121-203 g/m² (45-75 lb. cover)
 - Light Card Stock, 90-120 g/m² (24-32 lb. bond)
 - Envelope
 - Glossy, 121-160 g/m² (82-108 lb. book)
 - Postcard, 121-203 g/m² (45-75 lb. cover)
- 5 Set the front panel to match the loaded media size and press **Enter** to save your selection.
- 6 Set the front panel to match the media size loaded in the MBF.
 - a. Press the **Item** buttons to scroll to **MBF Size**.
 - b. Scroll with the **Value** buttons to select the appropriate size.
 - c. Press the **Enter** button to save your selection.
 - d. Press the **On-line** button to exit the Menu.
- 7 From the driver:
 - a. Select **Multi-sheet Bypass Feeder (MBF)** as **Paper Source**.
 - b. Select the appropriate media size and type.

Note

To avoid possible print-quality and media-feed problems, make sure that the loaded media matches the tray type setting.

- 8 Send the job to the printer.

[†] *Note that the buttons have graphics and numbers only (no written labels) on the 220 V models of the printer. Please see Front Panel Layout on page 39 for button numbers and graphics.*

Printing

This chapter provides information on using printer drivers to control the printer.

For information on networking-specific printing issues and printer management software, refer to the documentation on the Printer Management Software CD-ROM.

Printing Options

The printer offers a variety of options for submitting a file for printing, depending on your environment and preferences. These options are listed in the table below.

Printing Options

Method	Option	Description
Print directly from an application.	Direct-connected printing	The port is set to LPT1: (or equivalent) For example: copy <filename> LPT1.
	Through a network	The port is configured for a direct network connection (lpr) or to a network queue.
	Through the mail port monitor	The port is set to the Xerox Mail Port Monitor and the printer has an email address.
Print via a print file submission.	CentreWare DP	Send the print file to the printer using CentreWare DP (TCP/iP networks). [†]
	CentreWare for Solaris	Send the print file to the printer using CentreWare for Solaris. [†]
	Xerox CentreWare TTY for UNIX	Send the print file to the printer using CentreWare TTY for UNIX (other supported UNIX platforms). [†]
	CentreWare Internet Services	Send the print file to the printer using CentreWare Internet Services (embedded web server). [†]
	Attachment to a mail note	Send the print file to the printer as an attachment to a mail note (requires that the printer have an email address). [†]

[†] Supported file types: PostScript, PCL5c, PDF, TIFF and text files.
[#]IP Only, Not IPX

Printer Drivers

A printer driver is software that you load on your workstation or server. To achieve the best results from your color printer, it's essential that you use the proper printer driver for your operating system and printer configuration.

Printer drivers provide access to features unique to your printer. Although there are many print options and features that are a part of the software applications you use, your printer also contains many distinctive features of its own. For example, your custom printer drivers enable you to use the SnapColor feature that is available in your printer.

You may use either the Adobe PostScript printer driver (recommended) or the PCL5c printer driver. The PostScript printer driver allows access to more of the exclusive and powerful Xerox printing features.

The table below lists the supported drivers by PDL (Page Description Language) along with supported operating systems

Note

The printer was shipped with the latest drivers available at the time of manufacture. You can check for newer drivers on the Xerox web site:
www.xerox.com/officeprinting/1235support

Printer Drivers by PDL

PDL	Platform/Environment	Operating System
Adobe PostScript 3	Windows	Windows 95/Windows 98/ Windows ME Windows NT 4.0 with Service Pack 4+ Windows 2000
	IBM OS/2 [†]	OS/2 WARP
	Macintosh	System 7.6.1, 8.x, 9.x
	UNIX Solaris 2.5, 2.5.1, 2.6.7; IBM AIX 4.2.x, 4.3.x; HP-Ux 10.x, 11.x; SGI 6.2, 6.4; DEC 4.0; SCO UnixWare 7.0, Linux Red Hat 5.0	<u>CentreWare Services for UNIX Systems</u> UNIX TTY Services
PCL5c [†]	Windows	Windows 95/Windows 98/Windows ME Windows NT 4.0 with Service Pack 4+ Windows 2000

[†]Must be downloaded from website: <ftp://ftp.tekcolor.com/>

Installing the Printer Drivers

Instructions on how to load the printer drivers are on the printer's CD-ROM. In addition, your System Administrator can download drivers directly to each workstation on the network.

Configuring the Printer Drivers

Be sure to properly configure the printer driver for your printer and its installed options, such as additional media trays, the hard disk drive, duplex module, etc. If the printer driver is not properly configured, the optional features, such as 2-Sided Printing, Proof Printing, Secure Printing, Tray 2 and 3 sources, etc., will not be available.

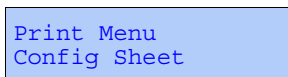
Printing a configuration sheet:

- 1 On the printer's front panel, press the **Menu Up**[†] or **Menu Down** until you see:



Menus
Print Menu

- 2 Press the **Item Up** or **Item Down** buttons until you see:



Print Menu
Config Sheet

- 3 Press the **Enter** button to print the page.
- 4 At your computer, go to the printer settings. Open the printer driver dialog and click the **Printer Configuration** tab. (This procedure will differ slightly with different operating systems.)
- 5 Enable (check) the items in the driver dialog that are listed on the printed Configuration page.
- 6 Click **OK** to close the printer driver dialog.

[†] Note that the buttons have graphics and numbers only (no written labels) on the 220 V models of the printer. Please see *Front Panel Layout* on page 39 for button numbers and graphics.

Printer Driver Features List

The table below shows the features available in each type of printer driver.

Printer Driver Features List

Feature	Macintosh PS	Windows 9X/ME PCL5c	Windows 9X/ME PS	Windows NT 4.0/ 2000 PCL5c	Windows NT 4.0/ 2000 PS
Automatic Image Correction			•		
Black-and-white printing	•		•		• [†]
Black overprint	•		•		•
Booklet printing		•		• [‡]	• [‡]
Multiple-up (n-up)	•			• [‡]	•
Collation	•	•	•	•	•
Color mode	•	•	•	•	•
Cover page (First Page Different, Front Cover)	•	•	•	•	•
Duplex (2-sided printing)	•	•	•	• [†]	•
Font substitution table			•	• [†]	• [†]
Image Quality				• [†]	• [‡]
Image Orientation		•		• [†]	• [†]
Media Type	•	•		•	• [†]
Mirror image	•		•		•
Negative image	•		•		• [‡]
Orientation	•		•	•	•
Paper size	•	•	•	•	•
(Page) Policy					•
Print mode	•		•	•	• [†]
Process Grayscale graphics	•		•		•
Proof print		•	•	•	•
Secure print		•	•	•	•
Separation pages		•	•	•	• [†]
Smooth Low-Resolution Images			•		
Transparency separators					• [‡]
TrueType options		•	•	• [†]	•
Scaling	•		•		•
Watermarks		•	•	• [‡]	•

† Windows NT 4.0 only

‡ Windows 2000 only

Printer Driver Feature Descriptions

The following sections provide a general overview of the printer driver features. Implementations of some features vary based on your operating system. For more detailed information on the features of your printer driver, see the online help in the driver software.

Automatic Image Correction

Optimizes printing of photographs or bitmap images. It enhances RGB images if the exposure level, color balance, sharpness, brightness, or contrast settings in the original image have not been optimized. Good images will not be affected by this setting. The default mode is *Off*.

Black and White printing

The options are:

- Grayscale

Transforms all color data to equivalent gray levels, with an attempt to preserve color differences as gray density differences. Use this mode for producing the best possible black and white version of a color document.

- Fax Friendly

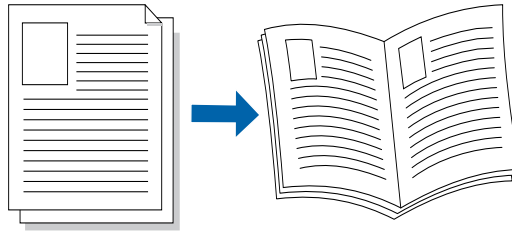
Transforms colors to black and white patterns in such a way that the information is preserved and the resulting patterns remain visible when copied or transmitted via Fax. Use this mode for printing a version of a color document that is to be photocopied or faxed in black and white.

Black Overprint

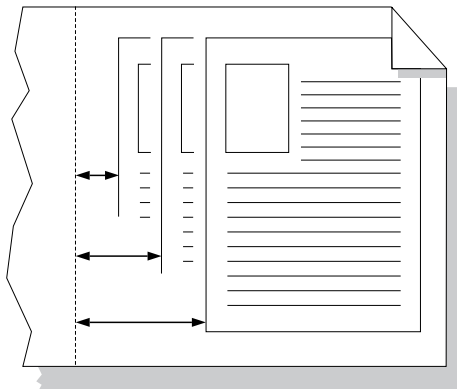
Reduces thin white outlines that may appear around black text edges on color backgrounds.

Booklet Creation

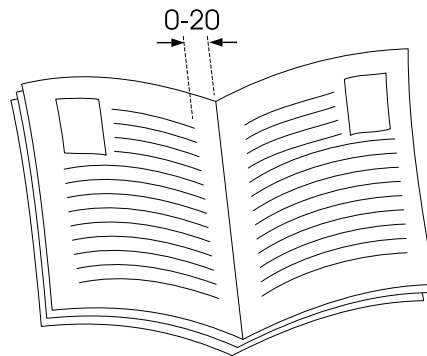
Prints your document in the form of a small book. You must have the optional duplex module installed to use this feature.



- It is available for any paper size that is supported for 2-sided (duplex) printing (see *Duplex (2-Sided Printing)* on page 31).
- Your booklet can have any number of page images and the driver prints it on one-fourth that number of sheets of paper.
- If the number of page images is an exact multiple of four, there will be no blank pages in the final book. If the number of pages in the book is not in multiples of four, the last page, last two pages, or last three pages may be blank.
- The driver reduces each page image by fifty percent and prints two images on each side of a sheet of paper. To create the booklet, fold the pages and staple them after they print.
- The 2-Sided option must be set to **On** to use this option.
- On a folded sheet of paper with two page images, the horizontal distance from the fold to the page image is called the gutter. The Gutter control allows you to set this distance to zero, 50, 100, or 150 dots.



- When you fold several pages into a booklet, the thickness of the paper forces the page image of the inner pages to shift slightly outward. The Creep control allows you to choose a number of dots by which to shift the page images inward to compensate for the thickness of the paper. You can choose any value from zero to 20.

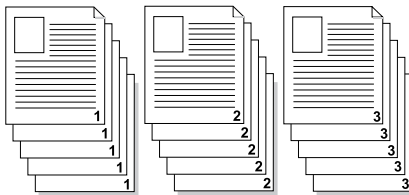


Collation

Allows job collation (for multiple-copy jobs only). Options :

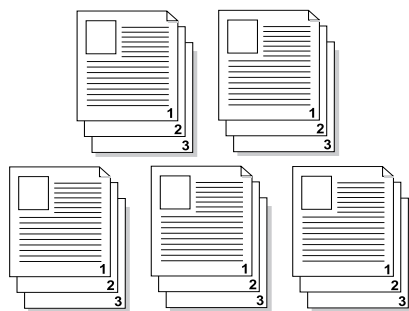
- Uncollated (the default setting)

For example, five uncollated copies of a three-page job will result in five copies of page 1, then five copies of page 2 and finally five copies of page 3; that is: 1, 1, 1, 1, 1, 2, 2, 2, 2, 2, 3, 3, 3, 3, 3.



- Collated

Use this option when you want to print two or more separate sets of a job that contains two or more pages. For example, five collated copies of a three-page job will result in one set of all three pages in order, then a second set of all three pages in order, then a third set of all three pages in order and so on: 1, 2, 3, 1, 2, 3, 1, 2, 3, 1, 2, 3, 1, 2, 3.



Certain print jobs are always collated, such as Proof Print jobs (see *Black and White printing* on page 27) and Secure Print jobs (see *Secure Print* on page 36) or jobs that request *Separators* on page 36).

Color Modes

The modes are:

- SnapColor
Use this mode for most color printing. It provides the best results for documents with a mixture of graphics, text and pictures. This is the default mode.
- Unadjusted
Use this mode for printing from applications that do all their own color management and transformation. This mode provides no color correction.
- ICC Saturation
Use this mode for documents where the primary content is business graphics. This mode follows ICC guidelines for saturation color matching.
- ICC Perceptual
Use this mode for documents in which the primary content is photo-realistic images. This mode follows ICC guidelines for perceptual color matching.
- ICC Colorimetric
Use this mode for specialized applications that can make use of actual colorimetric color correction. This mode follows ICC guidelines for colorimetric color matching.
- CMYK Simulation
Use this mode for printing pre-press proofs. This mode simulates the print effect of offset-press CMYK printing according to standards such as Standard Web Offset Press (SWOP).

Cover page

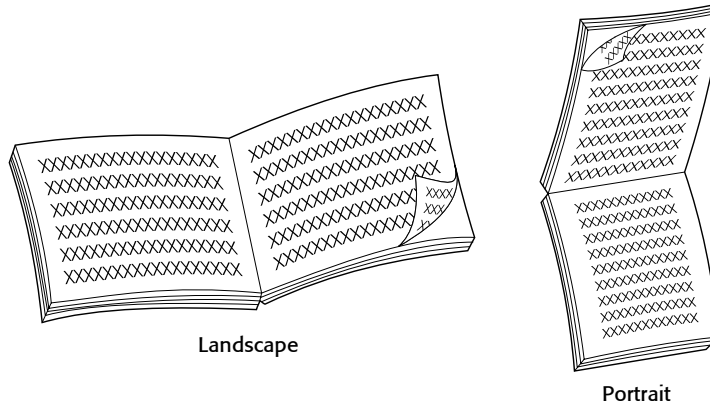
Prints a front cover, which is the first page of a print job. It is printed on media different from the rest of the printed document.

Duplex (2-Sided Printing)

Enables you to print jobs on both sides of the physical sheet of paper. It requires installation of the optional Duplex Module. Automatic 2-sided printing can only be done from Trays 1, 2 and 3, but not from the Multi-sheet Bypass Feeder (MBF). Transparencies are not supported for 2-sided printing.

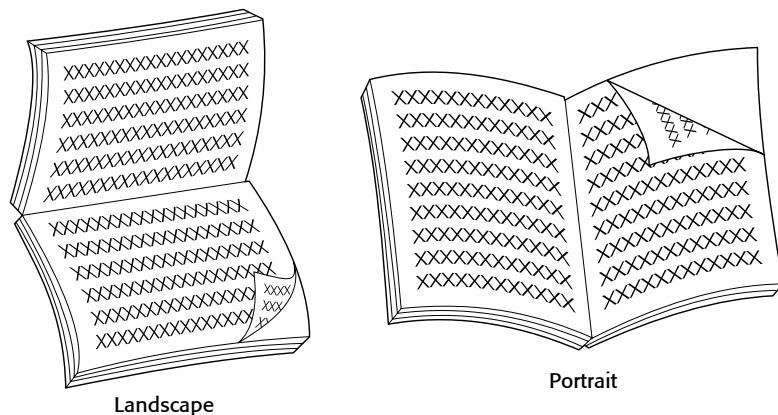
The printing options are:

- 1-Sided
This option provides single-sided printing (the default).
- 2-Sided, Flip on short edge



This option provides 2-sided printing so that the pages turn to the shortest edge of the paper.

- 2-Sided, Flip on long edge



This option provides 2-sided printing so that the pages turn to the longest edge of the paper.

Front cover different

Same as “Cover page.”

First page different

Same as “*Cover page.*”

Font substitution table

The options are:

- TrueType Font/Print Font
Lists the TrueType fonts on your computer and the printer font that is the closest match. To change the default selections for the comparable printer fonts, select any font in the list of printer resident fonts.
- Printer Font Substituted For:
This feature enables you to select which PostScript printer font you wish to substitute for the selected TrueType font.

Front Cover

Same as “*Cover page.*”

Smooth Low Resolution Images

Enhances low resolution graphics. Ideal for images from the World Wide Web.

Image Orientation

Same as “*Orientation.*”

Image Quality

Same as “*Print Mode.*”

Mirror Image

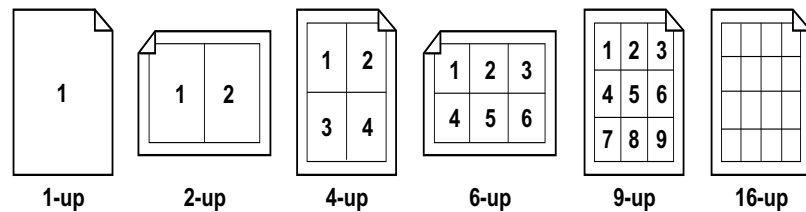
Flips the image orientation 180 degrees, thereby reversing the image and all associated text.

N-Pages Up

Same as “*Multiple Pages Per Side.*”

Multiple Pages Per Side

By default, the printer prints one page image on the sheet of paper. You can select two, four, six, nine or sixteen page images per side of paper. The printer shrinks the page images as needed and arranges them on the paper most appropriately for the paper size and orientation.



You can also choose to print black borders (Draw Outlines) around each page. No borders is the default.

Negative Image

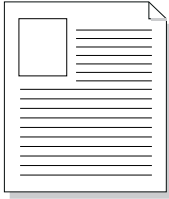
Converts the black image areas in the original to white, the white image areas to black and any dark gray image areas to light gray. Printing a negative image may be useful for documents that have a substantial amount of dark background and/or light text and images.

Orientation

Orientation refers to the direction of print on the page.

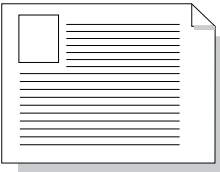
The options are:

- Portrait



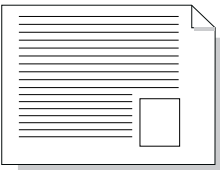
A Portrait page is taller than it is wide. This is the default setting.

- Landscape



A Landscape page is wider than it is tall.

- Rotated Landscape



A Rotated Landscape page is wider than it is tall and the image on the page is rotated 180 degrees (upside down).

Policy (Page)

Page Size Policies are used to specify the recovery policy when the requested page size cannot be matched with any available media. The options are:

- Use printer default.
Uses the Page Policy set on the printer as its default. The factory default is **Off** (see the System Menu description on page 55). When set to **Off**, a job does not print until the correct media size is loaded or the page size is overridden at the front panel or until it times out based on the policy timeout in the front panel (default is 300 seconds).
- Generate error if paper not available.
Generates an error message on the front panel.
- Ignore size and use default paper tray.
Ignores the paper size and uses the default paper tray.
- Nearest available size, adjust page.
Selects the nearest available paper size and adjust the page to fit.
- Next larger available size, adjust page.
Selects the next larger available paper size and adjust the page to fit.
- Nearest available size, no page adjust.
Selects the nearest paper size, but does not adjust the page to fit.
- Next larger available size, no page adjust.
Selects the next larger available paper, but does not adjust the page to fit.

Print Mode

The options are:

- Draft
This setting reduces the amount of toner used on a page. Using this feature will cause pages to be printed lighter.
- Normal
This setting sets the resolution to 600 x 600 dpi.
- High Quality (the default mode)
This setting sets the resolution to 600 x 1200 dpi.

Print on Both Sides

Same as “*Automatic Image Correction.*”

Process Grayscale Graphics

This feature prints black and white images using cyan, magenta and yellow toner.

Proof Print

Use only for multicopy jobs. You must assign a password (a four-digit value from 0000 to 7777, using only the digits 0 through 7) and a copy count in the driver before submitting the print job. The printer processes, queues and prints the first copy immediately. You must then enter the corresponding password on the printer's front panel before the rest of the copies will print. If the first copy is not acceptable, you can delete the print job. Releasing the job at the printer is discussed in the section *“Printing Secure Print and Proof Print Jobs”* (page 46). Deleting the job is described in the section *“Deleting Secure Print and Proof Print Jobs”* (page 47).

Proof jobs remain in the printer through power cycles (off/on).

Note

The optional printer hard drive is required to use the Proof Print and Secure Print features. You must configure the driver before using Secure Print or Proof Print.

Secure Print

This job type is appropriate for securing confidential print jobs. You must assign a password (a four-digit value from 0000 to 7777, using only the digits 0 through 7) in the printer driver before submitting the print job. The printer processes and queues the job, but will not print it until you enter the corresponding password on the printer's front panel. Releasing the job at the printer is discussed in the section *“Printing Secure Print and Proof Print Jobs”* (page 46). Deleting the job is described in the section *“Deleting Secure Print and Proof Print Jobs”* (page 47)

Secure print jobs remain in the printer through power cycles (off/on).

Note

The optional printer hard drive is required to use the Proof Print and Secure Print features. You must configure the driver before using Secure Print or Proof Print.

Separators

Here you can direct the printer to insert a separator (slip) sheet after each printed page. On all drivers except Windows 9X, you can designate the type, tray & size for the separator media or the separator can be supplied from the same tray as the document itself. No printing is done on the separator sheet. Separators are available after each job when using the Windows 9X/ ME driver.

TrueType Options

Allows you to select options associated with the use and printing of TrueType fonts. The options are:

- Download as TrueType (the default)

The whole character set for each TrueType font contained on the page is sent down to the printer in an outline form. Use this option if the document uses only a small number of TrueType fonts and you wish to optimize text-printing performance.

- Download as Bit Image

Each TrueType character will be sent as an individual bitmap download font on a least-recently-used basis. As the printer driver builds up the page, new font bitmaps are sent down. When a character is used again, the bitmap is automatically selected from the one previously downloaded to printer memory. From the memory setting, the driver monitors the amount of available memory to determine when to delete font bitmaps that have not been used for some time.

- Download as graphics and device fonts

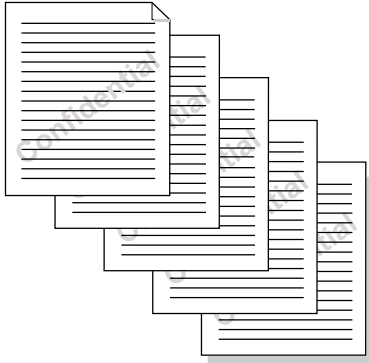
This option is useful if you want to print graphic images over TrueType text. TrueType text is always sent to the printer last, so it will always appear on top of any graphics. Selecting this option sends your TrueType images to the printer as graphic images, so the text can be obscured by graphic objects.

- Use Printer TrueType fonts

Determines whether to use the TrueType fonts that reside on the printer or to download TrueType fonts from the computer. If enabled (the default setting), the driver will use the TrueType fonts resident on the printer and if your document uses fonts that do not reside on the printer, the driver will download the fonts with the job. If disabled, the driver will always download TrueType fonts to the printer with each job, even if the fonts reside on the printer already.

Watermark

Use this feature when you want your prints to contain background text across the first page or every page of a document.



- This driver feature is independent from features provided by the application.
- The driver enables you to specify the text, its font, size, position on the page and rotation angle for each watermark.
- You can create and save unique watermarks for use on any document.
- You may also select a default watermark from a list of predefined watermarks (for example, CONFIDENTIAL, COPY, DRAFT).

Managing Printer Usage

Introduction

This chapter provides information on the features of the printer's front panel, which is used to manage printer usage, set default values and generate printer reports such as the Configuration Sheet.

There is also a discussion of remote printer management software available for use with your Phaser 1235 Color Printer.

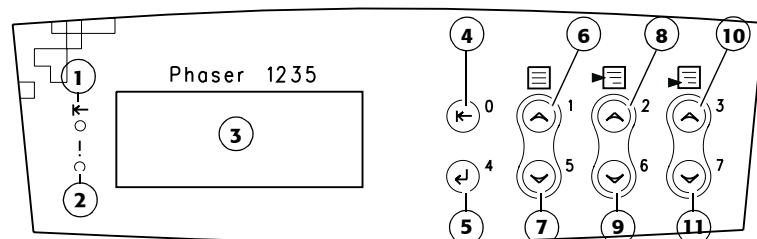
Using the Front Panel

Front Panel Layout

The printer's front panel (shown below) serves several purposes:

- Displays information about the status of the printer or the job in process.
- Provides the means for changing printer settings to control how the printer operates, including specifying the paper type in a tray.
- Enables you to print reports and password-protected pages stored on the optional hard drive.

- ① On-Line indicator light
- ② Fault indicator light
- ③ The two-line display
- ④ On-Line button
- ⑤ Enter button
- ⑥ Menu Up button
- ⑦ Menu Down button
- ⑧ Item Up button
- ⑨ Item Down button
- ⑩ Value Up button
- ⑪ Value Down button



Indicator Lights

The front panel contains two indicator lights.

Indicator lights and their functions

Light	Description
On-Line (Green)	Lights when the printer is on-line. Flashes when: <ul style="list-style-type: none">■ The printer is transitioning from on-line to off-line (two times per second).■ To indicate that a print job is being processed (one time per second).
Fault (Red)	Lights whenever operator intervention is required, such as when a paper jam has occurred. Refer to the front panel display for more information.

Display

The front panel's display performs two functions.

- It informs you of printer status conditions, such as when toner is low, when a paper tray is empty, when a job is in process and so on. For example:



READY

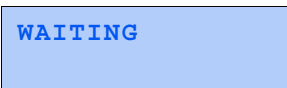
Ready displays whenever the printer is on-line and ready to receive print jobs.

The display will also show



PROCESSING . . .

when processing data and

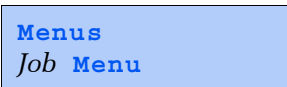


WAITING

when waiting for more data.

- It presents a hierarchy of menu options and settings to configure and control the printer.

For example, when you press **Menu Up** or **Menu Down**, the display may show



Menu
Job Menu

See the section “Menu System” (page 50) for information on the Menu system hierarchy.

The Buttons

The front panel has eight buttons, each identified with international symbols and/or labeled in English. The buttons are also numbered 0 - 7 for use when entering passwords.

The table below describes the function of each button in detail. For a general description of using the buttons to navigate the menus, see *Basic Menu Navigation Technique* on page 44.

Front Panel Buttons and Their Functions

Button	Description
On-Line	<p>Press Online to toggle the printer between on-line and off-line status. It is also used to enter the digit 0 (zero) when a password is requested for releasing or deleting a Secure Print or Proof Print job.</p> <p>The following conditions apply:</p> <ul style="list-style-type: none"> ■ Taking the printer off-line causes a state transition to an off-line mode. The job that is currently being processed will complete processing and print. (It will be at this time that any embedded pages are printed, since they are queued into the print job pipeline as the last job in the list to be printed.) ■ If processing was interrupted by entering the menu system (see the Menu Up and Menu Down buttons, below), bringing the printer on-line again causes processing to continue where it left off.
Enter	<p>Press Enter to invoke actions and enter values displayed on the front panel. Press Enter to enter the digit 4 (four) when a password is requested for releasing or deleting a Secure Print or Proof Print job.</p> <p>The following conditions also apply:</p> <ul style="list-style-type: none"> ■ If the printer is in Power Saver mode, press the Enter button to warm up the printer to Ready status. <ul style="list-style-type: none"> ■ If a print job is held up with a request to load a paper size/type that is different than the paper currently loaded in the requested tray, you can do one of the following: <ul style="list-style-type: none"> ■ Reconfigure the requested paper tray to match the requested paper size/type, then press Enter to print from the requested paper tray. See the section <i>Basic Menu Navigation Technique</i> on page 44, <i>Front Panel Menus, Items and Values</i> on page 52, <i>Tray</i> on page 53. ■ Use the value keys to scroll the available paper trays for an alternate paper size/type, then press Enter to print from the alternate source on the alternate paper size/type. ■ Press Enter to print from the selected tray in the media type mode for which the tray is configured.
Menu Up	<p>Press Menu Up to take the printer off-line and enter the menu system. Press Menu Up again to scroll the list of menus. It is also used to enter the digit 1 (one) when a password is requested for releasing or deleting a Secure Print or Proof Print job.</p> <p>The following conditions also apply:</p> <ul style="list-style-type: none"> ■ If a menu item, value or action is displayed, pressing Menu Up returns the display to the top-level menu list and disregards the display of the item, value or action item. ■ If the front panel displays a fault message when Menu Up is pressed to enter the menu system, the fault is re-displayed when the menu system is exited (if the fault is still active).

Front Panel Buttons and Their Functions (cont'd.)

Button	Description
Menu Down	<p>Press Menu Down to take the printer off-line and enter the menu system. Press Menu Down again to scroll the list of menus. Menu Down is also used to enter the digit 5 (five) when a password is requested for releasing or deleting a Secure Print or Proof Print job.</p> <p>The following conditions also apply:</p> <ul style="list-style-type: none"> ■ If a menu item, value or action is displayed, pressing Menu Down returns the display to the top level menu list and disregards the display of the item, value or action item. ■ If the front panel displays a fault message when Menu Down is pressed to enter the menu system, the fault is re-displayed when the menu system is exited (if the fault is still active).
Item Up	<p>Press Item Up to scroll the list of items that apply to the current menu. Item Up is also used to enter the digit 2 (two) when a password is requested for releasing or deleting a Secure Print or Proof Print job.</p> <p>The following conditions also apply:</p> <ul style="list-style-type: none"> ■ If the printer is on-line, the Item Up button is ignored. ■ If in the Ethernet, Token Ring or Novell Menu, pressing Item Up moves the cursor to the next character position of the value being entered (for example, IP Address, NetWare Server Name, NDS Tree Name, IP Sub Net Mask, etc.) so that the value of that character can be changed.
Item Down	<p>Press Item Down to scroll down through the list of items that apply to the current menu. Item Down is also used to enter the digit 6 (six) when a password is requested for releasing or deleting a Secure Print or Proof Print job.</p> <p>The following conditions also apply:</p> <ul style="list-style-type: none"> ■ If the printer is on-line, Item Down is ignored. ■ If in the Ethernet, Token Ring or Novell Menu, pressing this button will move the cursor to the previous character position of the value being entered (for example, IP Address, NetWare Server Name, NDS Tree Name, IP Sub Net Mask, etc.) so that the value of that character can be changed.

Front Panel Buttons and Their Functions (cont'd.)

Button	Description
Value Up	<p>Press Value Up to display the current value for the current menu item. Press Value Up again to scroll the list of values that apply to the current item. It is also used to enter the digit 3 (three) when a password is requested for releasing or deleting a Secure Print or Proof Print job.</p> <p>The following conditions also apply:</p> <ul style="list-style-type: none"> ■ If the printer is on-line, the Value Up button is ignored. ■ When setting a numeric value (for example, for an Ethernet, Token Ring or Novell Menu item), pressing the Value Up button increases the value by one step amount. Holding the Value Up button down for more than 1 second increments values repeatedly until the button is released. ■ If the printer requests you to load a different media type or size than what is loaded in the indicated tray, pressing Value Up scrolls the alternate media that may be used instead of the requested media.
Value Down	<p>Press Value Down to display the current value for the current menu item. Press Value Down again to scroll down through the list of values that apply to the current item. Press Value Down to enter the digit 7 (seven) when a password is requested for releasing or deleting a Secure Print or Proof Print job.</p> <p>The following conditions also apply:</p> <ul style="list-style-type: none"> ■ If the printer is on-line, this Value Up button is ignored. ■ When setting a numeric value (for example, for an Ethernet, Token Ring or Novell Menu item), pressing Value Down decreases the value by one step amount. Holding the Value Down button down for more than one second decrements values repeatedly until the button is released. ■ If the printer requests you to load a different media type or size than what is loaded in the indicated tray, pressing Value Down scrolls the alternate media types and sizes that are currently loaded in other trays that may be used instead of the requested media.

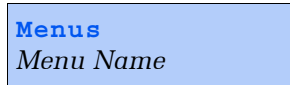
Front Panel Operations

Basic Menu Navigation Technique

With the printer on-line, navigate the menu system by following the steps below. For a description of the printer's menus, items and values, see the section *Menu System* (page 50).

- 1 Press **Menu Up** or **Menu Down** to scroll the available menus until you locate the one you want.

You will see:

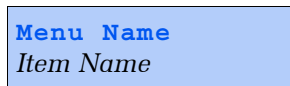


```
Menus
Menu Name
```

Where *Menu Name* is the current menu displayed (such as *Job Menu* or *Tray Menu*).

- 2 Press **Item Up** or **Item Down** to scroll the items of the submenu (all menus except the *Password Menu*).

You will see:

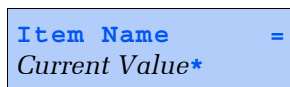


```
Menu Name
Item Name
```

Where *Item Name* is the current item displayed (such as Paper Size or Tray Sequence). For the *Job*, *Print* and *Reset Menus*, the bottom line of the display indicates an action to be taken (such as to print a Configuration Sheet or a PCL Font List).

- 3 Press **Value Up** or **Value Down** to select the appropriate value for the current item displayed.

You will see:



```
Item Name =
Current Value*
```

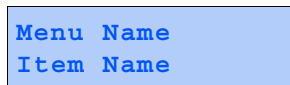
If a list of many values exists (for example, 1 through 99 for number of copies), you can scroll quickly by holding down **Value Up** or **Value Down**.

Note

The asterisk (*) indicates the currently selected value.

- 4 When you see the value you want, press **Enter** to accept it.

You will see:



```
Menu Name
Item Name
```

You may either continue to work in the Menu system by repeating the steps above, or exit and return to normal operation by pressing **On Line**.

Note

If you press **On Line** at any time prior to pressing **Enter**, the new value will not be saved and the Menu system is exited.

Note

The printer automatically exits the Menu system after 60 seconds of inactivity (for example, no button has been pressed).

Some commonly performed front panel procedures are described on the following pages:

- *Printing Printer Reports <RefInTable>(page 45)*
- *Printing Secure Print and Proof Print Jobs <RefInTable>(page 46)*
- *Deleting Secure Print and Proof Print Jobs <RefInTable>(page 47)*
- *Setting Network Addressing <RefInTable>(page 48)*

Note

Printing printer reports, setting network addressing and many other procedures are also easily performed using CentreWare DP or CentreWare Internet Services.

Printing Printer Reports

Examples of reports that can be printed include:

- Configuration Sheet
- Menu Map
- Disk Directory (if the optional hard disk drive is installed)

For a complete list of reports, refer to *Front Panel Menus, Items and Values* on page 52, *Service* on page 66 and *Print* on page 68.

To print a report, follow these steps:

- 1 At the front panel, press **Menu Up** or **Menu Down** until you see:



A screenshot of a printer's menu system. It shows a blue rectangular box with a white background containing the text 'Menus' on the first line and 'Print Menu' on the second line. The text is in a blue, monospaced font.

- 2 Press **Item Up** or **Item Down** until you see the report you want to print (such as Config Sheet).
- 3 Press **Enter** to print the page.

Note

If the item has several choices, press **Value Up** or **Value Down** until the desired choice is shown, then press **Enter**.

Printing Secure Print and Proof Print Jobs

The optional hard drive enables you to store print jobs in the printer until the corresponding password is entered at the front panel to release them. Once the file is printed, it is automatically deleted from the printer's hard disk drive.

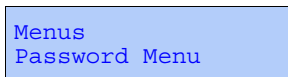
There are two types of password-controlled jobs:

- The Secure Print job type is designed for printing confidential documents when the printer is situated remotely from your workstation.
- The Proof Print job type enables you to print and proof a single copy of a document before printing the remaining copies.

To send a password-controlled job to the printer, select either the Secure Print or Proof Print job type in the printer driver and enter a 4-digit numeric password, where each digit of the password can be any numeric value between 0000 - 7777 using only the digits 0 - 7.

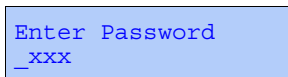
When you're ready to release your job for printing, follow these steps:

- 1 On the front panel, press the **Menu Up** or **Menu Down** button until you see:



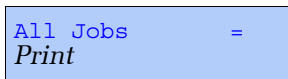
Menus
Password Menu

- 2 Press the **Item Up** or **Item Down** button until you see:



Enter Password
_xxx

- 3 Enter the job's numeric password and you will see:



All Jobs =
Print

- 4 Press **Enter** to print all jobs associated with the password you entered in Step 3.

OR:

Press **Item Up** or **Item Down** to scroll the jobs, then press **Enter** when the job you want to print is shown. Repeat this step as necessary to release more than one job.

- 5 When done, press **On Line**.

Deleting Secure Print and Proof Print Jobs

Secure print and proof print jobs remain on the printer's hard drive even when you turn off the printer.

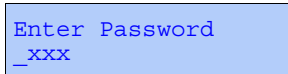
To delete a secure print or proof print job sent to the printer and stored in the optional hard drive, follow these steps:

- 1 At the front panel, press either **Menu Up** or **Menu Down** once until you see:



Menus
Password Menu

- 2 Press either **Item Up** or **Item Down** once until you see:



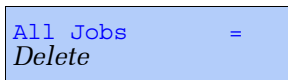
Enter Password
_xxx

- 3 Enter the job's numeric password and you will see:



All Jobs =
Print

- 4 Press either **Value Up** or **Value Down** once until you see:



All Jobs =
Delete

- 5 Press **Enter** to delete all jobs associated with the password you entered in step 3.

OR:

Press **Item Up** or **Item Down** to scroll the jobs, then press **Enter** when the job you wish to delete is shown. Repeat this step as necessary to delete more than one job.

- 6 When done, press **On Line**.

Setting Network Addressing

The procedure for setting Ethernet, Token Ring and Novell values requires a different keying technique than does the basic menu navigation to set values for other menu items.

While the example below sets the Ethernet IP address, the technique is basically the same for setting any of the following:

- Ethernet Menu
 - IP Address
 - Sub Net Mask
 - Default Gateway
- Token Ring Menu
 - IP Address
 - Sub Net Mask
 - Default Gateway
 - LAA
- Novell Menu
 - Primary Server
 - NDS Context
 - PServer Name
 - NDS Tree

To set the Ethernet IP address:

- 1 At the front panel, press **Menu Up**[†] or **Menu Down** until you see:

```
Menus
Ethernet Menu
```

- 2 Press **Item Up** or **Item Down** until you see:

```
Ethernet Menu
IP Address
```

- 3 Press **Value Up** or **Value Down** and you will see:

```
IP Address
000.000.000.000
```

if no address has been assigned (otherwise you will see the current value for the IP address). The underline indicates the position of the cursor, which starts at the first digit.

- 4 To change the value of the first digit, press **Value Up**[†] and you will see:

```
IP Address
100.000.000.000
```

- 5 Press **Value Up** again and you will see:

```
IP Address
200.000.000.000
```

Continue pressing **Value Up** until you have set the correct value for the first digit. (Pressing **Value Down** will reduce the value of the digit by one.)

- 6 To move the cursor to the second digit, press **Item Up** and you will see:

```
IP Address  
200.000.000.000
```

- 7 To change the value of the second digit, press **Value Up** and you will see:

```
IP Address  
210.000.000.000
```

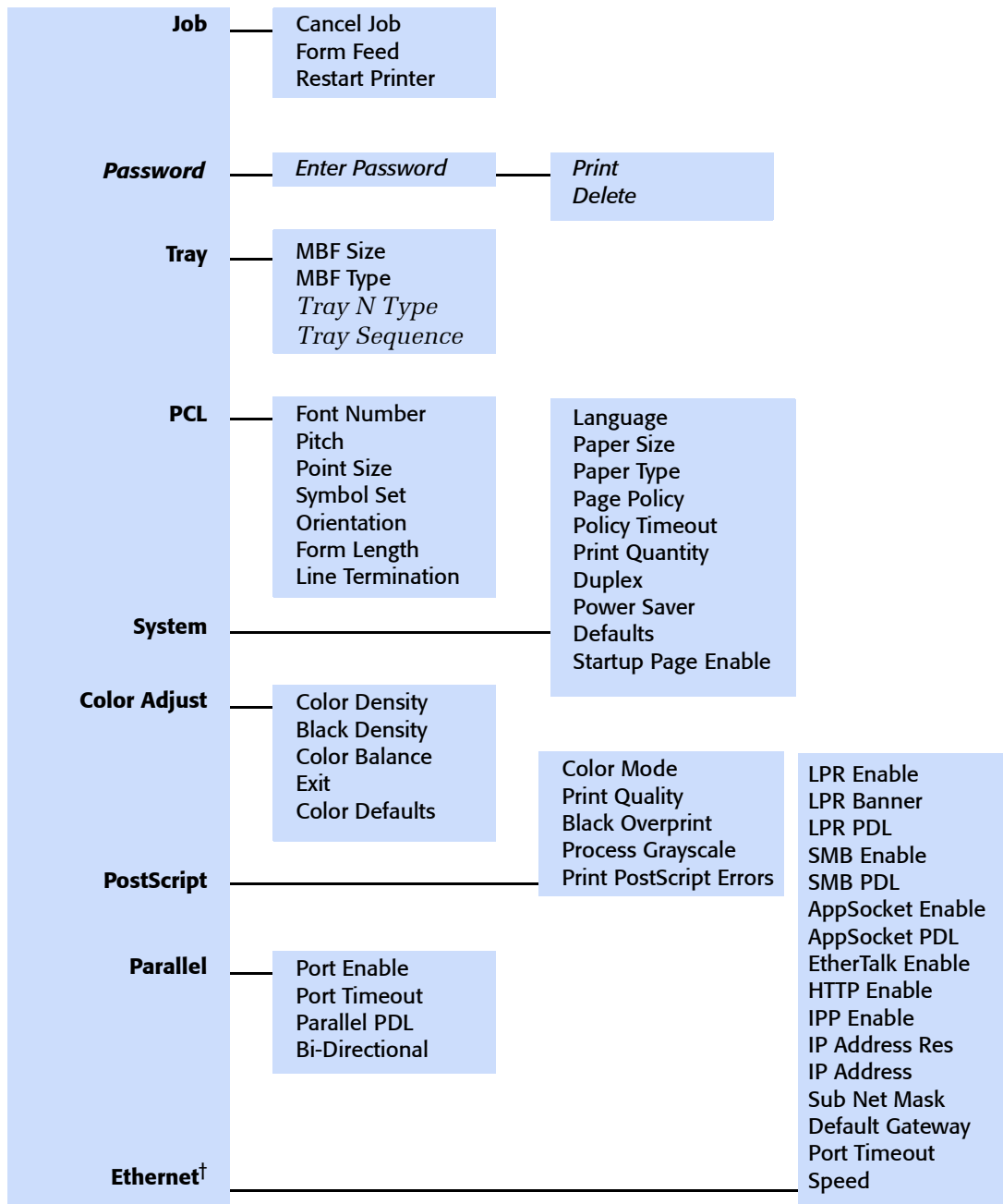
- 8 Continue to use the **Value Up** button to change the value of the current digit and the **Item Up** button to move to the next digit to the right. (Pressing **Item Down** will move the cursor to the left.)
- 9 When you have completed the address, press **Enter**, then **On Line**.
- 10 For the new value to take effect, you need to restart the printer inside the [Job Menu](#), or power the printer off and on again.

[†] Note that the buttons have graphics and numbers only (no written labels) on the 220 V models of the printer. Please see *Front Panel Layout* on page 39 for button numbers and graphics.

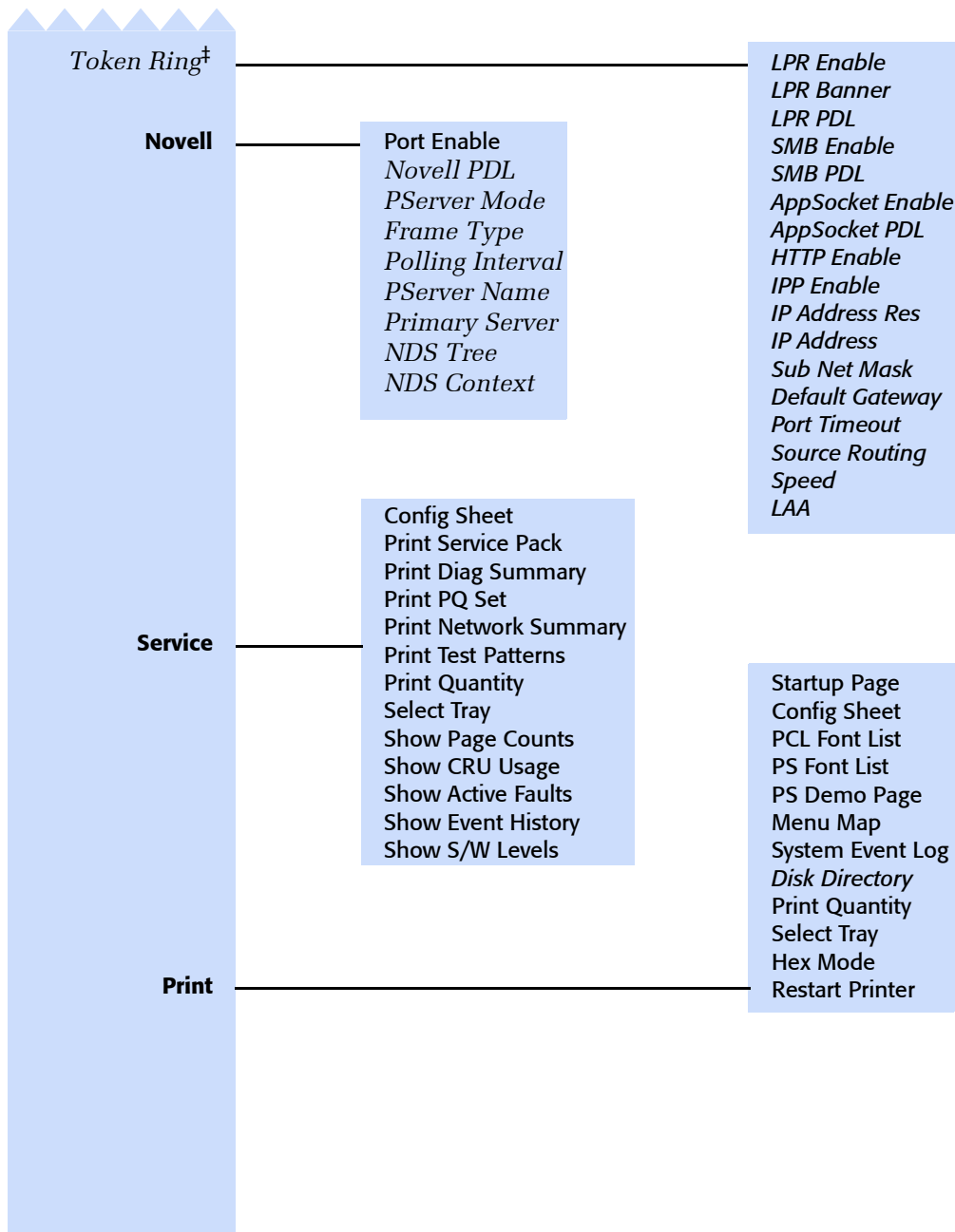
Menu System

Menu Hierarchy

The figure below shows a menu map of the variables that can be controlled at the printer's front panel. Details of all the available settings for the variables in these menus are contained in *Front Panel Menus, Items and Values* on page 52.



† Ethernet menu is not available if token ring card is installed.



[†]Token Ring menu is available only if the optional Token Ring Card is installed.

Note

Items in italics appear only when the appropriate option is installed.

Menus, Items and Values

The table below lists the menus, menu items and menu item values that can be controlled at the printer's front panel, organized by menu in the order in which they appear when scrolling through the display. A boldfaced value followed by an asterisk (*) indicates the factory default for that value.

Note

When you submit your print jobs for printing, the printer settings selected in your application or printer driver will override the default settings in the front panel.

Front Panel Menus, Items and Values

Menu	Description and Items
Job	Allows you to cancel the job currently processed, to force a form feed on a partially formatted job in PCL, or to restart the printer. The menu's items are:
Cancel Job	Cancels the job currently printing.
Form Feed	Ejects a partial PCL page.
Restart Printer	Reboots the printer as if the power was cycled, but bypasses power on diagnostics.
Password	Appears only if the optional hard disk drive is installed and allows you to enter a four digit password to enable printing (or deleting) of Secure Print jobs or Proof Print jobs previously sent to the printer and stored on the printer's hard disk drive.

Note

For instructions on printing Secure Print jobs and Proof Print jobs, refer to the section *Printing Secure Print and Proof Print Jobs* on page 46.

Front Panel Menus, Items and Values (cont'd.)

Menu	Description and Items																				
Tray	<p>Allows you to access tray settings that are common to both PCL and PostScript jobs.</p> <p>Note</p> <p>Trays 1, 2 and 3 all have paper size sensing and are therefore automatically configured for paper size when media is properly loaded.</p> <p>The menu's items are:</p>																				
MBF Size	<p>Defines the paper size that is loaded in the Multi-sheet Bypass Feeder (MBF). The default value depends on the selection of metric or English units in the Defaults setting in the System Menu.</p> <p>Available values are:</p> <table border="0"> <tr> <td>8.5 x 11 in. (Letter)*</td> <td>182 x 257 mm (JIS B5)</td> </tr> <tr> <td>8.5 x 14 in. (Legal)</td> <td>215 x 315 mm (SP Folio)</td> </tr> <tr> <td>8.5 x 13 in.</td> <td>215 x 330 mm (Foolscap)</td> </tr> <tr> <td>8 x 13 in.</td> <td>5.5 x 8.5 in. (Statement)</td> </tr> <tr> <td>8 x 10 in.</td> <td>C5 Envelope</td> </tr> <tr> <td>7.25 x 10.5 in. (Exec)</td> <td>B5 Envelope</td> </tr> <tr> <td>210 x 297 mm (A4)*</td> <td>10 Envelope</td> </tr> <tr> <td>148 x 210 mm (A5)</td> <td>Monarch Envelope</td> </tr> <tr> <td>105 x 148 mm (A6)</td> <td>DL Envelope</td> </tr> </table> <p>Defines the paper type that is loaded in the Multi-sheet Bypass Feeder (MBF). Available values are:</p>	8.5 x 11 in. (Letter)*	182 x 257 mm (JIS B5)	8.5 x 14 in. (Legal)	215 x 315 mm (SP Folio)	8.5 x 13 in.	215 x 330 mm (Foolscap)	8 x 13 in.	5.5 x 8.5 in. (Statement)	8 x 10 in.	C5 Envelope	7.25 x 10.5 in. (Exec)	B5 Envelope	210 x 297 mm (A4)*	10 Envelope	148 x 210 mm (A5)	Monarch Envelope	105 x 148 mm (A6)	DL Envelope		
8.5 x 11 in. (Letter)*	182 x 257 mm (JIS B5)																				
8.5 x 14 in. (Legal)	215 x 315 mm (SP Folio)																				
8.5 x 13 in.	215 x 330 mm (Foolscap)																				
8 x 13 in.	5.5 x 8.5 in. (Statement)																				
8 x 10 in.	C5 Envelope																				
7.25 x 10.5 in. (Exec)	B5 Envelope																				
210 x 297 mm (A4)*	10 Envelope																				
148 x 210 mm (A5)	Monarch Envelope																				
105 x 148 mm (A6)	DL Envelope																				
MBF Type	<table border="0"> <tr> <td>Plain*</td> <td>Postcard</td> </tr> <tr> <td>Preprinted</td> <td>Color</td> </tr> <tr> <td>Letterhead</td> <td>Cardstock</td> </tr> <tr> <td>Transparency</td> <td>Envelope</td> </tr> <tr> <td>Prepunched</td> <td>Legal</td> </tr> <tr> <td>Labels</td> <td>User Type 1†</td> </tr> <tr> <td>Bond</td> <td>User Type 2†</td> </tr> <tr> <td>Recycled</td> <td>User Type 3†</td> </tr> <tr> <td>Light card stock</td> <td>User Type 4†</td> </tr> <tr> <td>Glossy paper</td> <td>User Type 5†</td> </tr> </table> <p>†These are shown only if a user defined paper type has been loaded. Refer to CentreWare DP or CentreWare Internet Services documentation (located on the Printer Management Software CD-ROM) for additional information on configuring user-defined types.</p>	Plain*	Postcard	Preprinted	Color	Letterhead	Cardstock	Transparency	Envelope	Prepunched	Legal	Labels	User Type 1†	Bond	User Type 2†	Recycled	User Type 3†	Light card stock	User Type 4†	Glossy paper	User Type 5†
Plain*	Postcard																				
Preprinted	Color																				
Letterhead	Cardstock																				
Transparency	Envelope																				
Prepunched	Legal																				
Labels	User Type 1†																				
Bond	User Type 2†																				
Recycled	User Type 3†																				
Light card stock	User Type 4†																				
Glossy paper	User Type 5†																				
Tray N Type	<p>Defines the type of paper installed in Tray N (where N is the tray number—Tray 1, 2, or 3, if installed). The available values are the same as for the MBF, but excludes envelopes, labels, glossy paper and postcards.</p>																				
Tray Sequence	<p>Groups two or more trays together so the group appears as one tray and defines the order in which the trays are searched to satisfy a print request for a specific size and type of paper. Available values are:</p> <p>MBF-1* Off</p> <p>If an optional Tray 2 is installed, these additional values are also available:</p> <p>MBF-1-2 1-2</p> <p>If an optional Tray 3 is installed, these additional values are also available:</p> <p>MBF-1-2-3 1-2-3</p>																				

Front Panel Menus, Items and Values (cont'd.)

Menu	Description and Items																								
PCL	Allows you to establish the default configuration for the printer when printing PCL emulation jobs. The menu's items are:																								
Font Number	Sets the ID for the default font in PCL. Available values are: 0* - 999																								
Pitch	Sets the pitch of the default font in PCL. Appears only when the default font is a scalable <i>fixed pitch</i> font. Available values are: 0.44 - 99.99 (10.00*)																								
Point Size	Sets the point size of the default font in PCL. Appears only when the default font is a scalable <i>proportional spaced</i> font. Available values are: 4.00 - 999.75 (12.00*)																								
Symbol Set	Sets the default font symbol set used in PCL. Available values are: <table style="margin-left: 40px; border: none;"> <tr> <td>DesktopLegal</td> <td>Vn Int'l.</td> </tr> <tr> <td>ISO L1Math-8</td> <td>Vn Math</td> </tr> <tr> <td>ISO L2Ms Publ.</td> <td>Vn US</td> </tr> <tr> <td>ISO L5PC-8*</td> <td>Win 3.0</td> </tr> <tr> <td>ISO-4PC-8 DN</td> <td>Win L1</td> </tr> <tr> <td>ISO-6PC-8 Tk</td> <td>Win L2</td> </tr> <tr> <td>ISO-11PC-850</td> <td>Win L5</td> </tr> <tr> <td>ISO-15PC-852</td> <td>ISO Latin Cyr</td> </tr> <tr> <td>ISO-17Pi Font</td> <td>PC Cyrillic</td> </tr> <tr> <td>ISO-21PS Math</td> <td>Latin 6</td> </tr> <tr> <td>ISO-60PS Text</td> <td></td> </tr> <tr> <td>ISO-69Roman-8</td> <td></td> </tr> </table>	DesktopLegal	Vn Int'l.	ISO L1Math-8	Vn Math	ISO L2Ms Publ.	Vn US	ISO L5PC-8*	Win 3.0	ISO-4PC-8 DN	Win L1	ISO-6PC-8 Tk	Win L2	ISO-11PC-850	Win L5	ISO-15PC-852	ISO Latin Cyr	ISO-17Pi Font	PC Cyrillic	ISO-21PS Math	Latin 6	ISO-60PS Text		ISO-69Roman-8	
DesktopLegal	Vn Int'l.																								
ISO L1Math-8	Vn Math																								
ISO L2Ms Publ.	Vn US																								
ISO L5PC-8*	Win 3.0																								
ISO-4PC-8 DN	Win L1																								
ISO-6PC-8 Tk	Win L2																								
ISO-11PC-850	Win L5																								
ISO-15PC-852	ISO Latin Cyr																								
ISO-17Pi Font	PC Cyrillic																								
ISO-21PS Math	Latin 6																								
ISO-60PS Text																									
ISO-69Roman-8																									
Orientation	Sets the default orientation used in PCL (not used by PostScript). Available values are: Portrait* Landscape																								
Form Length	Sets the default number of lines per page used in PCL. Available values are: 5 - 128 (60* if Defaults = Inches) (64* if Defaults = Millimeters) The default value depends on the Defaults setting in the System Menu (see page 56).																								
Line Termination	Adds an additional carriage return after every line feed appearing in PCL text. Available values are: Off* On																								

Front Panel Menus, Items and Values (cont'd.)

Menu	Description and Items																										
System	Allows you to set general printer features. The menu's items are:																										
Language	<p>Sets the language used for front panel display messages and generated reports. Available values are:</p> <p>Deutsch English* Español Français Italiano Português (BRA) Svensk Nederlands</p>																										
Paper Size	<p>Sets the default paper size used in PCL. Available values are:</p> <table> <tr> <td>8.5 x 11 in. (Letter)*</td> <td>C5 Envelope</td> </tr> <tr> <td>8.5 x 14 in. (Legal)</td> <td>B5 Envelope</td> </tr> <tr> <td>8.5 x 13 in.</td> <td>10 Envelope</td> </tr> <tr> <td>8 x 13 in.</td> <td>Monarch Envelope</td> </tr> <tr> <td>8 x 10 in.</td> <td>DL Envelope</td> </tr> <tr> <td>7.25 x 10.5 in. (Exec)</td> <td></td> </tr> <tr> <td>210 x 297 mm (A4)*</td> <td></td> </tr> <tr> <td>148 x 210 mm (A5)</td> <td></td> </tr> <tr> <td>105 x 148 mm (A6)</td> <td></td> </tr> <tr> <td>182 x 257 mm (JIS B5)</td> <td></td> </tr> <tr> <td>215 x 315 mm (SP Folio)</td> <td></td> </tr> <tr> <td>215 x 330 mm (Foolscap)</td> <td></td> </tr> <tr> <td>5.5 x 8.5 in. (Statement)</td> <td></td> </tr> </table>	8.5 x 11 in. (Letter)*	C5 Envelope	8.5 x 14 in. (Legal)	B5 Envelope	8.5 x 13 in.	10 Envelope	8 x 13 in.	Monarch Envelope	8 x 10 in.	DL Envelope	7.25 x 10.5 in. (Exec)		210 x 297 mm (A4)*		148 x 210 mm (A5)		105 x 148 mm (A6)		182 x 257 mm (JIS B5)		215 x 315 mm (SP Folio)		215 x 330 mm (Foolscap)		5.5 x 8.5 in. (Statement)	
8.5 x 11 in. (Letter)*	C5 Envelope																										
8.5 x 14 in. (Legal)	B5 Envelope																										
8.5 x 13 in.	10 Envelope																										
8 x 13 in.	Monarch Envelope																										
8 x 10 in.	DL Envelope																										
7.25 x 10.5 in. (Exec)																											
210 x 297 mm (A4)*																											
148 x 210 mm (A5)																											
105 x 148 mm (A6)																											
182 x 257 mm (JIS B5)																											
215 x 315 mm (SP Folio)																											
215 x 330 mm (Foolscap)																											
5.5 x 8.5 in. (Statement)																											
Paper Type	<p>The default value depends on the Defaults setting in the System Menu (see page 56).</p> <p>Sets the default paper type used in PostScript and PCL. Available values are:</p> <table> <tr> <td>Plain*Preprinted</td> <td>Postcard</td> </tr> <tr> <td>Letterhead</td> <td>Color</td> </tr> <tr> <td>Transparency</td> <td>Cardstock</td> </tr> <tr> <td>Prepunched</td> <td>Envelope</td> </tr> <tr> <td>Labels</td> <td>User Type 1†</td> </tr> <tr> <td>Bond</td> <td>User Type 2†</td> </tr> <tr> <td>Recycled</td> <td>User Type 3†</td> </tr> <tr> <td>Light card stock</td> <td>User Type 4†</td> </tr> <tr> <td>Glossy paper</td> <td>User Type 5†</td> </tr> </table> <p>†These are shown only if a user defined paper type has been loaded. Refer to CentreWare DP or CentreWare Internet Services documentation for additional information on configuring user-defined types.</p>	Plain*Preprinted	Postcard	Letterhead	Color	Transparency	Cardstock	Prepunched	Envelope	Labels	User Type 1†	Bond	User Type 2†	Recycled	User Type 3†	Light card stock	User Type 4†	Glossy paper	User Type 5†								
Plain*Preprinted	Postcard																										
Letterhead	Color																										
Transparency	Cardstock																										
Prepunched	Envelope																										
Labels	User Type 1†																										
Bond	User Type 2†																										
Recycled	User Type 3†																										
Light card stock	User Type 4†																										
Glossy paper	User Type 5†																										
(Page) Policy	<p>Allows the printer to automatically select an alternate paper size and/or type if the requested size and/or type is not loaded. Available values are:</p> <p>Off* Ignore Size Ignore Type Ignore Type and Size</p>																										

Front Panel Menus, Items and Values (cont'd.)

Menu	Description and Items
System (cont)	<p>Policy Timeout</p> <p>If a job is received that requires resources (paper size and type) not loaded in the printer, this feature specifies how long the printer will wait before implementing the specified Page Policy.</p> <p>Note</p> <p>Longer durations are typically set to allow you time to change the paper in the printer to match the submitted job's requirements.</p> <p>Available values are:</p> <p>300 Seconds* 180 Seconds 120 Seconds 60 Seconds 30 Seconds Immediately</p>
	<hr/> <p>Print Quantity</p> <p>Sets multiple copies of each page (not collated sets). Available values are:</p> <p>1* - 999</p>
	<hr/> <p>Duplex</p> <p>Appears only when the duplex option is installed and enables or disables duplex (two-sided) printing. Available values are:</p> <p>Off* Long Edge Short Edge</p> <p>Note</p> <p>“Long Edge” and “Short Edge” refer to binding orientation, not paper feed direction. For more information on duplex printing and binding orientation, see the section <i>Collation</i> on page 29.</p>
	<hr/> <p>Power Saver</p> <p>Defines a period of inactivity after which time the printer will enter a low power state. Available values are:</p> <p>240 Minutes 180 Minutes 120 Minutes 90 Minutes 60 Minutes 30 Minutes* 15 Minutes</p>
	<hr/> <p>Defaults</p> <p>Sets the default values for the System Menu's Paper Size item and the PCL Menu's Form Length item. Available values are:</p> <p>Inches Millimeters</p> <p>When set to <i>Inches</i>, Paper Size defaults to <i>Letter</i> and Form Length defaults to <i>60</i>. When set to <i>Millimeters</i>, Paper Size defaults to <i>A4</i> and Form Length defaults to <i>64</i>.</p>
	<hr/> <p>Startup Page Enable</p> <p>Determines whether a startup page prints each time the printer restarts. Available values are:</p> <p>On* Off</p> <hr/>

Front Panel Menus, Items and Values (cont'd.)

Menu	Description and Items
Color Adjust	Allows you to make fine adjustments to the color system, thereby modifying the imaging characteristics of the printer. The menu's items are:
	<p>Color Density Allows fine adjustment of color density. Available values are: -3CMY, -2CMY, -1CMY, 0, +1CMY, +2CMY, +3CMY The value zero (0) represents the current state. Changing the value prints a test print to be printed for evaluation.</p>
	<p>Black Density Allows fine adjustment of black density. Available values are: -3K, -2K, -1K, 0, +1K, +2K, +3K The value zero (0) represents the current state. Changing the value prints a test print to be printed for evaluation.</p>
	<p>Color Balance Allows fine adjustment of color balance. Available values are: 0, 1, 2, 3, 4, 5, 6, 7, 8, 9, 10, 11, 12 The value zero (0) represents the current state. Changing the value prints a test print to be printed for evaluation.</p>
	<p>Exit Exits Color Adjust Menu. Available values are: Yes No*</p>
Color Defaults	<p>Allows resetting of all color adjustment items to their factory default values. Available values are: Yes No* Resetting the values to factory defaults causes a test print to be printed based on those factory default values.</p>

Front Panel Menus, Items and Values (cont'd.)

Menu	Description and Items
PostScript	Allows you to set options for printing PostScript jobs. Printer driving settings always override front panel settings. The menu's items are:
Color Mode	Allows adjustment to the color mode. Available values are: SnapColor* ICC Perceptual GrayScale ICC Saturation Unadjusted ICC Colorimetric Fax Friendly CMYK Simulation
	Note For an explanation of these color modes, see the section <i>Color Modes</i> on page 30.
Print Quality	Sets the print quality (resolution in dots per inch). Available values are: Draft Normal High Quality*
Black Overprint	Enables or disables the Black Overprint function. Available values are: On* Off
	Note Refer to page 27 for additional information.
Process Grayscale	Enables or disables the Process Grayscale graphics function. Available values are: On Off*
	Note Refer to page 35 for additional information.
Print PostScript Errors	Controls the use of PostScript's built-in error handler or debugger. Available values are: On* Off

Front Panel Menus, Items and Values (cont'd.)

Menu	Description and Items
Parallel	Allows you to set options for the parallel port connection. The menu's items are:
Port Enable	Enables or disables the parallel port. Available values are: On* Off
Port Timeout	Sets the time for determining when to terminate an incomplete print job and poll the next port in the polling sequence. Available values are: 5 - 300 Seconds (30 Seconds*)
Parallel PDL	Sets the default page description language interpreter for the parallel port. Available values are: Auto* PCL PostScript
	Note To submit TIF and PDF files to the printer, this value must be Auto.
Bidirectional	Enables or disables bidirectional communications through the parallel port. Available values are: On* Off

Front Panel Menus, Items and Values (cont'd.)

Menu	Description and Items
Ethernet	Allows you to set options for the Ethernet port connection. When the Token Ring option is installed, you will not see this menu. The menu's items are:
LPR Enable	Enables or disables the Ethernet LPR protocol. Available values are: On* Off
LPR Banner	Enables or disables the LPR banner sheet. Available values are: On Off*
LPR PDL	Sets the default page description language interpreter for the Ethernet LPR protocol. Available values are: Auto* PCL PostScript Note To submit TIF and PDF files to the printer, this value must be Auto.
SMB Enable	Enables or disables the Ethernet SMB protocol. Available values are: On* Off
SMB PDL	Sets the default page description language interpreter for the Ethernet SMB protocol. Available values are: Auto* PCL PostScript Note To submit TIF and PDF files to the printer, this value must be Auto.
AppSocket Enable	Enables or disables the Ethernet AppSocket interface. Available values are: On* Off
AppSocket PDL	Sets the default page description language interpreter for the Ethernet AppSocket interface. Available values are: Auto* PCL PostScript Note To submit TIF and PDF files to the printer, this value must be Auto.
EtherTalk Enable	Enables or disables the Ethernet EtherTalk protocol. Available values are: On * Off

Front Panel Menus, Items and Values (cont'd.)

Menu	Description and Items
Ethernet (cont)	HTTP Enable Enables or disables the Ethernet HTTP Server protocol. Available values are: On* Off
	IPP Enable Enables or disables the Ethernet IPP protocol. Available values are: On* Off
	IP Address Res Sets the method used to assign the IP address, including Sub Net Mask and Default Gateway. Available values are: Static BOOTP/RARP DHCP*
	IP Address Sets the 4 byte IP address. Available values are: xxx.xxx.xxx.xxx (where xxx = 000 to 255)
	<p>Note</p> <p>See the section <i>Setting Network Addressing</i> on page 48 for an explanation of how to set this item.</p>
	Sub Net Mask Sets the 4 byte Sub Net Mask address. Available values are: xxx.xxx.xxx.xxx (where xxx = 000 to 255) See the section <i>Setting Network Addressing</i> on page 48 for an explanation of how to set this item.
	Default Gateway Sets the 4 byte Default Gateway address. Available values are: xxx.xxx.xxx.xxx (where xxx = 000 to 255)
	<p>Note</p> <p>See the section <i>Setting Network Addressing</i> on page 48 for an explanation of how to set this item.</p>
	Port Timeout Sets the time for determining when to terminate an incomplete print job and poll the next port in the polling sequence. Available values are: 5 - 300 seconds (60* seconds)
	Speed Sets the speed of the optional 100 Mbit Ethernet interface. Available values are: Auto* 10/HALF 10/FULL 100/HALF 100/FULL HALF = half duplex FULL = full duplex

Front Panel Menus, Items and Values (cont'd.)

Menu	Description and Items
Token Ring	<p>Allows you to set options for the Token Ring port connection.</p> <p>Note</p> <p>This menu appears only when the optional Token Ring interface is installed. When the Ethernet option is enabled, you will not see this menu.</p> <p>The menu's items are:</p>
LPR Enable	<p>Enables or disables the Token Ring LPR protocol. Available values are:</p> <p>On* Off</p>
LPR Banner	<p>Enables or disables the LPR banner sheet. Available values are:</p> <p>On Off*</p>
LPR PDL	<p>Sets the default page description language interpreter for the Token Ring LPR protocol. Available values are:</p> <p>Auto* PCL PostScript</p> <p>Note</p> <p>To submit TIF and PDF files to the printer, this value must be Auto.</p>
SMB Enable	<p>Enables or disables the Token Ring SMB protocol. Available values are:</p> <p>On* Off</p>
SMB PDL	<p>Sets the default page description language interpreter for the Token Ring SMB protocol. Available values are:</p> <p>Auto* PCL PostScript</p> <p>Note</p> <p>To submit TIF and PDF files to the printer, this value must be Auto.</p>
AppSocket Enable	<p>Enables or disables the Token Ring AppSocket interface. Available values are:</p> <p>On* Off</p>
AppSocket PDL	<p>Sets the default page description language interpreter for the Token Ring AppSocket interface. Available values are:</p> <p>Auto* PCL PostScript</p> <p>Note</p> <p>To submit TIF and PDF files to the printer, this value must be Auto.</p>

Front Panel Menus, Items and Values (cont'd.)

Menu	Description and Items
Token Ring (cont)	IPP Enable Enables or disables the Token Ring IPP protocol. Available values are: On* Off
	IP Address Res Sets the method used to assign the IP address, including Sub Net mask and Default Gateway. Available values are: Static BOOTP/RARP DHCP*
	IP Address Sets the 4 byte IP address. Available values are: xxx.xxx.xxx.xxx (where xxx = 000 to 255) See the section <i>Setting Network Addressing</i> on page 48 for an explanation of how to set this item.
	Sub Net Mask Sets the 4 byte Sub Net Mask address. Available values are: xxx.xxx.xxx.xxx (where xxx = 000 to 255)
	Note See the section <i>Setting Network Addressing</i> on page 48 for an explanation of how to set this item.
Default Gateway Sets the 4 byte Default Gateway address. Available values are: xxx.xxx.xxx.xxx (where xxx = 000 to 255) See the section <i>Setting Network Addressing</i> on page 48 for an explanation of how to set this item.	
Port Timeout Sets the time for determining when to terminate an incomplete print job and poll the next port in the polling sequence. Available values are: 5 - 300 seconds (60 seconds*)	
Source Routing Sets the source routing option. Available values are: Off* All Single/All Single/Specific	
Speed Sets the default ring speed of the Token Ring interface. Available values are: 4 16*	
LAA Sets the 6 byte Locally Administered Address. Valid values are: xxxx xxxx xxxx (where xxxx xxxx xxxx can equal any value within the valid range of 4000 0000 0000 and 7FFF FFFF FFFF)	

Front Panel Menus, Items and Values (cont'd.)

Menu	Description and Items												
Novell	Allows you to modify Novell parameters:												
Port Enable	Enables or disables the Novell protocol. Available values are: On* Off												
Novell PDL	Sets the default page description language interpreter for the Novell protocol. Available values are: Auto* PCL PostScript												
	Note To submit TIF and PDF files to the printer, this value must be Auto.												
Binary PostScript	Enables or disables the Novell binary mode of PostScript. Available values are: On* Off												
PServer Mode	Sets the PServer mode for the Novell protocol. Available values are: NDS BEM NDS/BEM*												
Frame Type	Sets the frame type used for the Novell protocol. Available values are: <table border="0"> <tr> <td><u>Ethernet</u></td> <td><u>Token Ring</u></td> </tr> <tr> <td>Auto*</td> <td>Auto*</td> </tr> <tr> <td>802.2</td> <td>TR_802.2</td> </tr> <tr> <td>802.3</td> <td>TR_SNAP</td> </tr> <tr> <td>SNAP</td> <td></td> </tr> <tr> <td>Ethernet II</td> <td></td> </tr> </table>	<u>Ethernet</u>	<u>Token Ring</u>	Auto*	Auto*	802.2	TR_802.2	802.3	TR_SNAP	SNAP		Ethernet II	
<u>Ethernet</u>	<u>Token Ring</u>												
Auto*	Auto*												
802.2	TR_802.2												
802.3	TR_SNAP												
SNAP													
Ethernet II													

Front Panel Menus, Items and Values (cont'd.)

Menu	Description and Items
Novell (cont)	<p>Polling Interval Sets the rate (in seconds) at which the PServer issues polling requests for assigned queues. Available values are: 1 - 29 Seconds (2 Seconds*)</p> <hr/> <p>PServer Name Sets the name of the PServer in this printer. There is a 47 character limit. Available characters are: A - Z, 0 - 9, hyphen (-), underscore (_) The default is: XRX_<MAC address> (MAC Address= Media Access Control Device Address)</p> <hr/> <p>Primary Server Sets the name of the Primary file server. There is a 47 character limit. Available characters are: A - Z, 0 - 9, hyphen (-) and underscore (_) The default is: <Null></p> <hr/> <p>NDS Tree Sets the NDS Tree character string. There is a 63 character limit. Available characters are: A - Z, 0 - 9, hyphen (-) and underscore (_) The default is: <Null></p> <hr/> <p>NDS Context Set the NDS context string. There is a 255 character limit. Available characters are: A - Z, 0 - 9, hyphen (-), period (.), underscore (_), equal (=) The default is: <Null></p>

Front Panel Menus, Items and Values (cont'd.)

Menu	Description and Items										
Service	<p>Note</p> <p>This menu is generally intended for service personnel use.</p> <p>Allows you to modify operating system parameters, run diagnostics and obtain configuration information. The Service menu items are:</p>										
Configuration Sheet	Prints the configuration sheet showing the printer's current information and menu settings.										
Print Service Pack	<p>Prints the system test patterns and configuration pages used by the Xerox service organization. The following set is printed:</p> <p>Diagnostic Summary Configuration Page Network Summary System Event Log</p>										
Print Diag Summary	Prints the current diagnostic summary data.										
Print PQ Set	<p>Prints the PQ set (one of each):</p> <p>"Test Pattern A" "Color Balance" "Diagnostic Page"</p>										
Print Network Summary	Prints network traffic and diagnostic information.										
Print Test Patterns	<p>Prints the system test patterns:</p> <table> <tr> <td>100% Stripe</td> <td>Black Halftone</td> </tr> <tr> <td>Blank</td> <td>PS Pattern A</td> </tr> <tr> <td>Cyan Step</td> <td>Gray Step</td> </tr> <tr> <td>Magenta Step</td> <td>Color Balance</td> </tr> <tr> <td>Yellow Step</td> <td></td> </tr> </table>	100% Stripe	Black Halftone	Blank	PS Pattern A	Cyan Step	Gray Step	Magenta Step	Color Balance	Yellow Step	
100% Stripe	Black Halftone										
Blank	PS Pattern A										
Cyan Step	Gray Step										
Magenta Step	Color Balance										
Yellow Step											
Print Quantity	<p>Sets the number of times each diagnostic report page is printed (uncollated).</p> <p>This value is reset to 1 upon exiting the service menu.</p>										
Select Tray	<p>Selects the source tray from which the diagnostic report is to be printed.</p> <p>This value appears only if optional Trays 2 and 3 are installed.</p>										
Show Page Counts	<p>Displays summary page count data on the front panel:</p> <table> <tr> <td>Total Count</td> <td>Magenta Count</td> </tr> <tr> <td>Black Count</td> <td>Yellow Count</td> </tr> <tr> <td>Cyan Count</td> <td></td> </tr> </table>	Total Count	Magenta Count	Black Count	Yellow Count	Cyan Count					
Total Count	Magenta Count										
Black Count	Yellow Count										
Cyan Count											
Show CRU Usage	<p>Displays percentage remaining on the front panel for the following Customer Replaceable Consumables (CRC):</p> <p>Black Imaging Drum Cyan Imaging Drum Magenta Imaging Drum Yellow Imaging Drum Fuser Transfer Belt</p> <p>Indicates CRC usage by displaying values OK, Low, or Empty for the following CRCs on the front panel:</p> <p>Black Toner Cyan Toner Magenta Toner Yellow Toner</p>										

Front Panel Menus, Items and Values (cont'd.)

Menu	Description and Items
Service (cont)	<p>Show Active Faults Displays all active (current) faults on the front panel, from highest priority to lowest priority.</p> <p>Note</p> <p>Use the Value buttons to scroll all active faults. The most recent is displayed first.</p>
	<p>Show Event History Displays all (the last 100) printer events on the front panel. The most recent event displays first.</p> <p>Note</p> <p>Use the Value buttons to scroll through all printer events (faults) in the Event History. The most recent is displayed first.</p>
	<p>Show S/W Levels Displays the current software versions (or levels) on the front panel.:</p> <p>Adobe PS Level Boot Date Engine Version</p>

Front Panel Menus, Items and Values (cont'd.)

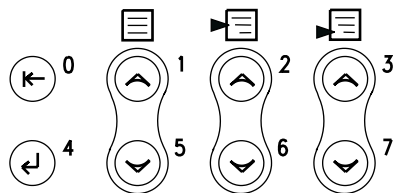
Menu	Description and Items
Print	Allows you to generate printer reports:
Startup Page	Prints the Startup Page.
Config Sheet	Prints the configuration sheet showing the printer's current information and menu settings.
PCL Font List	Prints a complete list of all PCL fonts currently loaded.
PS Font List	Prints a complete list of all PostScript language fonts currently loaded.
PS Demo Page	Prints a PostScript demonstration page that shows the printer features.
Menu Map	Prints a page showing the configuration of the front panel Menu tree.
System Event Log	Prints a list of the last 100 printer events (as shown in the Service Menu - Show Event History section on page 67.
Disk Directory	Prints a list of fonts and macros loaded on the hard drive.
Print Quantity	Sets the number of times each printer report page is printed (uncollated).
	<p>Note</p> <p>This value is reset to 1 upon exiting the menu.</p>
Select Tray	Selects the source tray from which the printer report is to be printed (and appears only if the optional Tray 2/Tray 3 is installed).
Hex Mode	Enables or disables Hex dump mode, which prints the data stream as Hex codes instead of interpreting it as print data. Available values are: Yes No*
	<p>Note</p> <p>The printer must be restarted (use either Restart Printer or power the printer off and on) to exit Hex mode.</p>
Restart Printer	Reboots the printer as if the power was switched on and off, but bypasses the power on diagnostics.

Special Operating Modes

The printer may be placed in a special diagnostic or other nonstandard operating mode by turning on the printer while holding down two buttons on the front panel simultaneously.

The front panel buttons are shown below, at left. The table below lists the special button combinations.

Special Operating Modes



Button Combination	Mode
0 and 4	<p>Makes the Reset Menu available at the front panel. The Reset Menu is not normally available to users, as it contains the ability to format devices and perform a factory reset of all items.</p> <p>To exit this mode and remove the Reset Menu from the menu system, the printer must be turned off and on again.</p> <p>The CRU Reset function should only be used if the printer did not correctly reset the life of a newly installed Customer-Replaceable Consumable (CRC).</p>

Front Panel Locks

Some of the menus in the front panel may be locked through CentreWare Internet Services and CentreWare DP so that users can only browse and not change front panel settings.

When the front panel is locked, you can browse and change the following menus:

- Job menu
- Print menu
- Password menu
- Color Adjust menu
- Reset menu

You can browse, but not change the following menus:

- Tray menu
- PCL menu
- System menu
- PostScript menu
- Parallel menu
- Ethernet menu
- Token Ring menu
- Novell menu
- Service menu

Using Printer Management Software

Network Printer Services

Three print service utilities are available for the installation and management of your printer—CentreWare DP, CenterWare MC and CentreWare Internet Services. Each of these services provides you with the capability to easily and quickly accomplish the following tasks with your printer from your workstation:

- Check printer status.
- Remotely configure, monitor and manage the printer.
- Set printer defaults.
- Perform printer maintenance diagnostics remotely.
- Remotely upgrade the software on your Phaser 1235 Color Printer.

CentreWare DP

CentreWare DP is an interactive application that allows IP and IPX discovery of printers.

- Administrators will be able to install, connect and configure the printer on a network quickly.
- Setup procedures have been simplified and the management of network printers is virtually effortless. CentreWare DP supports a number of key network environments, including NetWare and Windows NT.

Note

See the CentreWare DP User Guide for more information on the operation and use of CentreWare DP.

CentreWare MC

CentreWare MC allows IP discovery of printers with an embedded web server. Allows users to access the printer's embedded web server. The embedded web server for Xerox printers is CentreWare Internet Services. See *CentreWare Internet Services* on page 71.

Note

Tektronix Phaser printers with PhaserLink will be visible as well.

CentreWare Internet Services

CentreWare Internet Services is an interactive service that extends the capabilities of CentreWare DP using the printer's embedded web server to serve pages to your browser. It provides another method for configuring and managing your Phaser 1235 Color Printer. Each of the features in CentreWare Internet Services can be accessed through Netscape Navigator or Microsoft Internet Explorer (or any other web browser) using the printer's IP address (as a URL). Users and system administrators can monitor the status of the printer and access context-sensitive on-line assistance.

For system administrators, CentreWare Internet Services provides a faster and more productive way to install and upgrade software on your printer. It also provides a wide range of printer support information via links to Internet web sites.

Setup

To set up your printer for Internet/Intranet access, you will need to configure an IP address for the printer on your network. (See page 61 for Ethernet or page 63 for Token Ring.)

To use the Mail Send/Receive feature set, you must:

- Create a mail account for the printer.
- Configure the printer to use that mail account.
- Install and configure the Xerox Mail Port Monitor on client workstations.

Note

See the CentreWare Internet Services User Guide (on the Phaser 1235 Color Printer CD-ROM) for more information on CentreWare Internet Services.

Maintaining the Printer

Regular Printer Maintenance

Your printer is designed to need very little ongoing maintenance other than periodic cleaning of the LED bars and replacement of Customer Replaceable Consumables (CRCs):

- Toner cartridges (black, cyan, magenta and yellow)
- Imaging drums (black, cyan, magenta and yellow)
- Transfer belt
- Fuser

Note

LED bars are cleaned at each toner cartridge replacement and cleaning instructions are included with the replacement cartridge.

Note

To avoid unnecessary printer downtime, be sure to order extra CRCs when the [near end of use](#) warnings appear on the front panel. Instructions for replacing the CRCs accompany each item.

Caution

For optimum performance, keep the printer out of direct sunlight. Faded images, light areas or dark bands may result. Do not place the printer near vents or dust-producing equipment.

Cleaning the Printer

Although not necessary for printer performance, you may wish to clean the outside of the printer with a damp cloth.

Caution

Power off the printer before cleaning the external surfaces at the rear of the printer.

Note

Do not use detergents or solvents when cleaning the printer.

Adjusting Color Density and Balance

Over the life of the printer, colors may change. For example, reds may begin to take on a purple cast, or blues may take on a green cast. This happens during the normal use of a color printer and can be easily remedied by using the color adjustment procedure described in this section.

Note

This procedure, which should be done monthly, will help correct any color shifts.

This front panel procedure involves printing a test page and adjusting the densities and colors based on the appearance of the test page. You may need to repeat this procedure and test your adjustments until you achieve the desired results.

Note

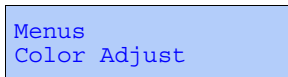
At any time, you can reset the printer to the factory defaults by selecting **Color Defaults** from the Color Adjust Menu.

Note

Refer to the section *Using the Front Panel* on page 39 for a functional description of the front panel.

Printing a Test Page

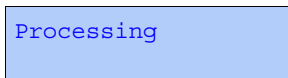
- 1 Press **Menu Up**[†] or **Menu Down** until you see:



Menus
Color Adjust

- 2 Press **Item Up** or **Item Down**.

You will see:

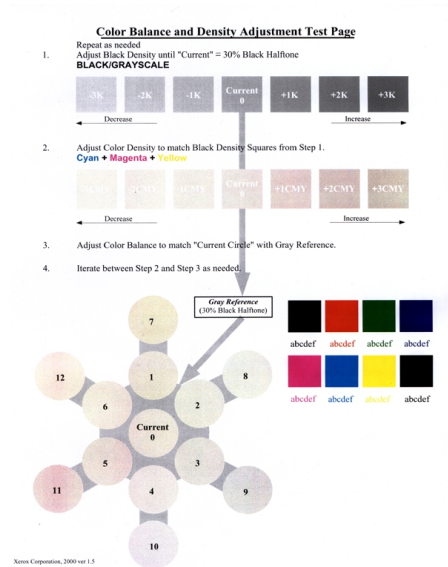


Processing

The printer prints the Color Balance test print.

[†] Note that the buttons have graphics and numbers only (no written labels) on the 220 V models of the printer. Please see *Front Panel Layout* on page 39 for button numbers and graphics.

Interpreting the Test Print



The Color Balance test print contains numbered images that indicate possible adjustments that can be made. You can choose to make an adjustment to the Color Density, the Black Density, or the Color Balance.

- The Black Density Images, numbered -3K...0,...+3K, show a lightness/darkness range of 30% halftones using black only.
- The Color Density Images, numbered -3CMY...0,...+3CMY, show a lightness/darkness range of 30% gray halftones using three colors (cyan, magenta, yellow).
- The Color Balance Images, numbered 0,10,11,...21, show variations of three-color gray. Each of these circles contains gray with tints of other colors.

What To Look For

There are three things to look for in examining the test print.

- The Color Density and the Black Density are a matter of taste. The 30% halftones can be used to judge the current level and decide on a preference.
- The Color Density and Black Density should be at approximately the same level. This is important in order to make the Color Balance adjustment.
- The correct Color Balance is determined by comparing the circle in the center of the Color Balance object marked "CURRENT" with the gray background. The background is produced using black only and the circles are produced using a combination of cyan, magenta and yellow. The adjustment objective is for the "CURRENT" circle to be the closest gray of any of the circles when compared to the gray background.

Making Adjustments

Use the following procedures to make adjustments to the color density and balance:

Black Density Adjustment

- 1 Press **Item Up**[†] or **Item Down** until you see:

```
Color Adjust Menu
Black Density
```

- 2 Press **Value Up** or **Value Down** until you see:

```
Black Density =
New Value
```

Values are -3K, -2K, -1K, 0, +1K, +2K, +3K.

- 3 Press **Enter**. The Color Adjust Page prints and the front panel displays:

```
Color Adjust Menu
Black Density
```

- 4 Repeat Steps 2 and 3 above until you are satisfied with the results.

To exit this menu, scroll to Exit with the **Item** button and select YES with the **Value** button.

Color Density Adjustment

- 1 Press **Item Up**[†] or **Item Down** until you see:

```
Color Adjust Menu
Color Density
```

- 2 Press **Value Up** or **Value Down** until you see:

```
Color Density =
New Value
```

Values are -3CMY, -2CMY, -1CMY, 0, +1CMY, +2CMY, +3CMY.

- 3 Press **Enter**. The Color Adjust Page prints and the front panel displays:

```
Color Adjust Menu
Color Density
```

- 4 Repeat Steps 2 and 3 above until you are satisfied with the results.

- 5 To exit this menu, scroll to Exit with the **Item** button and select YES with the **Value** button.

[†] Note that the buttons have graphics and numbers only (no written labels) on the 220 V models of the printer. Please see *Front Panel Layout* on page 39 for button numbers and graphics.

Color Balance Adjustment

- 1 Press **Menu Up**[†] or **Menu Down** until you see:

```
Menus
Color Adjust Menu
```

- 2 Press **Item Up** or **Item Down** until you see:

```
Color Adjust
Color Balance
```

- 3 Press **Value Up** or **Value Down** until you see:

```
Color Balance =
New Value
```

Values are 0, 1, 2, 3, 4, 5, 6, 7, 8, 9, 10, 11, 12, 13.

- 4 Press **Enter**. The Color Adjust Page prints and the front panel displays:

```
Color Adjust Menu
Color Density
```

- 5 Repeat Steps 3 and 4 above until you are satisfied with the results.
- 6 To exit this menu, scroll to Exit with the **Item** button and select YES with the **Value** button.

[†] Note that the buttons have graphics and numbers only (no written labels) on the 220 V models of the printer. Please see *Front Panel Layout* on page 39 for button numbers and graphics.

Adjustment Recovery

While in the color adjustment routine you can return the values to the factory default values by using the Color Adjust menu's Color Defaults item.

The printer will be restored to the default values.

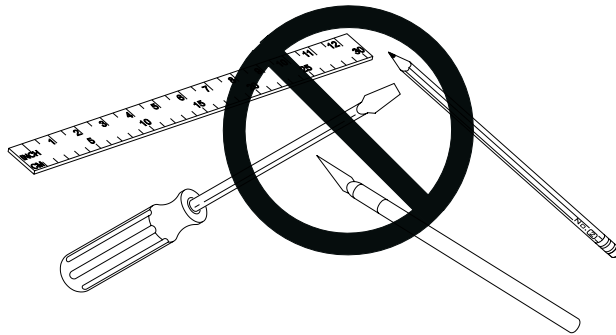
Troubleshooting

Before You Begin Troubleshooting

Note the following safety tips before you begin troubleshooting and checking for possible hardware, software and printer maintenance issues.

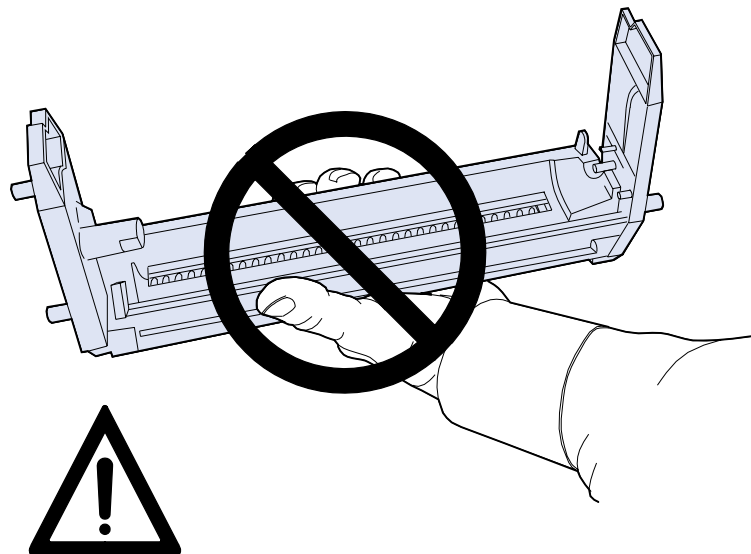
Note

Do not use tools or sharp objects to clear paper jams since this may damage the printer.



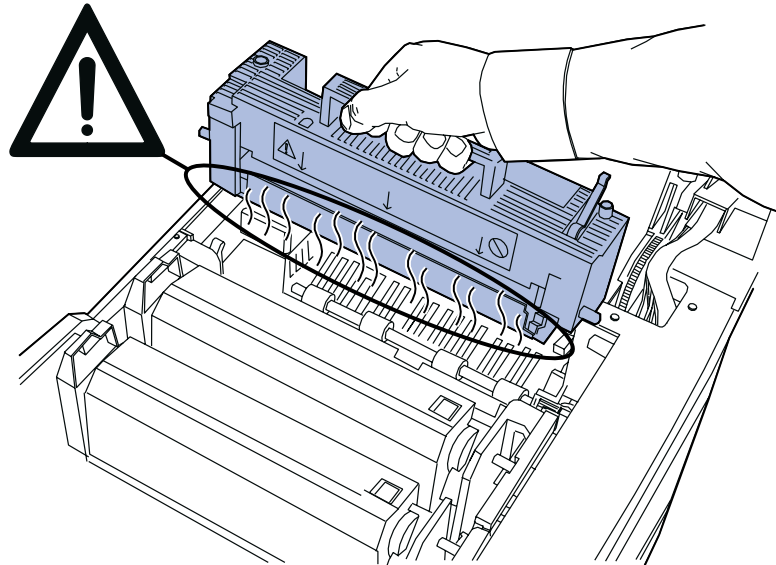
Note

Do not touch the bottom surface of the imaging drum. Touching these surfaces may damage them.



Warning

Avoid contact with the printer's fuser rollers, which may be hot.



Make sure to observe the safety guidelines and recommendations provided in the Safety Notes. See *Getting to Know Your Printer* on page 1.

If your printer is not operating properly, make sure that the following hardware and software issues on page 80 have been considered.

Hardware

- Is the printer plugged in?
- Is the printer switched on?
- Is the printer on-line?
- Does the printer have proper clearance? For further information, refer to the *Getting to Know Your Printer* on page 1.
- Is the printer operating within the specified environmental conditions (temperature and humidity)? For further information, refer to the *Getting to Know Your Printer* on page 1.
- Is the printer connected to a computer or network?

Software

- Is the correct printer driver installed on the workstation?
- Is your driver properly configured for the destination printer? For further information, refer to *Printing* on page 23.

Printer Maintenance

An improperly seated tray or an open cover will prevent printing. You can avoid these problems by regularly taking the following precautions.

- Insert media trays properly and securely.
- Keep covers securely closed.

Customer-Replaceable Consumables (CRCs)

Expendable consumables (toner cartridge, imaging drum, fuser, transfer belt) will prevent printing.

- Maintain a supply of consumables (especially toner cartridges).
- Replace consumables when prompted by the printer.

Note

Specific instructions for replacing each consumable are included with the individual replacement packages.

Front Panel Messages

Your printer displays messages on the front panel when operator intervention is required. The two-line display of the front panel provides information about the condition of the printer and the suggested or required course of action.

There are two types of messages that require action:

- **Fault** messages appear when the printer stops due to a malfunction, such as a paper jam. Action must be taken to resolve the fault.
- **Attention** messages do not stop the printer, but warn of action that should be taken to avert a shutdown.

The table below lists fault and attention messages in alphabetical order, along with an explanation and corrective action.

Front Panel Messages

Message	Type	Explanation/Corrective Action
Check Tray [Check Tray 1] [Check Tray 2] [Check Tray 3] No Tray Present	Fault	The indicated tray is not installed. Make sure the tray is fully inserted.
Controller Fan Error U8 Power Off/On	Fault	An error has been detected with the controller cavity cooling fan. Turn off the printer, wait 15 seconds, then turn on the printer. If the problem persists, check the support links at www.xerox.com/officeprinting/1235support .
Disk Read [Write] Error Press Enter To Clear	Attention	There was a hard disk read error that prevented the data from being read. Press the Enter button to clear the message. Turn off the printer, wait 15 seconds, then turn on the printer. If the problem persists, check the support links at www.xerox.com/officeprinting/1235support .

Front Panel Messages (cont'd.)

Message	Type	Explanation/Corrective Action
Drum Error [Black Drum Error U29] [Cyan Drum Error U28] [Magenta Drum Error U27] [Yellow Drum Error U26] Power Off/On	Fault	The imaging drum is either missing or requires reseating to be recognized by the printer. Turn off the printer, make sure the imaging drum is properly installed, then turn on the printer. If the problem persists, replace the corresponding imaging drum. If you need more help, check the support links at www.xerox.com/officeprinting/1235support .
Drum Missing [Black Drum Missing] [Cyan Drum Missing] [Magenta Drum Missing] [Yellow Drum Missing] Reseat Drum	Fault	The imaging drum is either missing or requires reseating to be recognized by the printer. Turn off the printer, make sure the imaging drum is properly installed, then turn on the printer. If the problem persists, install a new imaging drum. For further assistance, visit the support links at www.xerox.com/officeprinting/1235support .
Drum [Black Drum] [Cyan Drum] [Magenta Drum] [Yellow Drum] Near End Of Life	Attention	The imaging drum is near its end of life. Printing can continue until the printer determines that the imaging drum is at its end of life; however, some degradation of image quality may occur. The message remains until interrupted by other messages or until the imaging drum is replaced.
Duplex I/F Error U12 Power Off/On	Fault	An error has been detected with the duplex module interface and communication path. Turn off the printer, wait 15 seconds, then turn on the printer. If the problem persists, be sure the duplex unit is properly installed. If you need more help, check the support links at www.xerox.com/officeprinting/1235support .
Engine Control Error U5 Power Off/On	Fault	During the printer's self diagnostics there was a problem with the internal control logic. Turn off the printer, wait 15 seconds, then turn on the printer. If the problem persists, check the support links at www.xerox.com/officeprinting/1235support .
Engine EPROM Error U2 Power Off/On	Fault	During the printer's self diagnostics there was a problem reading the engine EPROM. Turn off the printer, wait 15 seconds, then turn on the printer. If the problem persists, check the support links at www.xerox.com/officeprinting/1235support .

Front Panel Messages (cont'd.)

Message	Type	Explanation/Corrective Action
Engine EPROM Missing U3 Power Off/On	Fault	During the printer's self diagnostics there was a problem detecting the engine EPROM. Turn off the printer, wait 15 seconds, then turn on the printer. If the problem persists, check the support links at www.xerox.com/officeprinting/1235support .
Engine RAM Error U1 Power Off/On	Fault	During the printer's self diagnostics there was a problem reading the engine RAM. Turn off the printer, wait 15 seconds, then turn on the printer. If the problem persists, check the support links at www.xerox.com/officeprinting/1235support .
Engine ROM Error U0 Power Off/On	Fault	During the printer's self diagnostics there was a problem reading the engine ROM. Turn off the printer, wait 15 seconds, then turn on the printer. If the problem persists, check the support links at www.xerox.com/officeprinting/1235support .
Engine SRAM Error U4 Power Off/On	Fault	During the printer's self diagnostics there was a problem reading the engine SRAM. Turn off the printer, wait 15 seconds, then turn on the printer. If the problem persists, check the support links at www.xerox.com/officeprinting/1235support .
Feeder Home Error U7 Power Off/On	Fault	An error has been detected with the home position of the front paper feeder. Turn off the printer, wait 15 seconds, then turn on the printer. If the problem persists, check the support links at www.xerox.com/officeprinting/1235support .
Front Cover B Open Close Front Cover B	Fault	The front cover (Cover B) is open. Close the cover so that printing can continue.
Front Panel Error U15 Power Off/On	Fault	An error has been detected with the front panel interface and communication path. Turn off the printer, wait 15 seconds, then turn on the printer. If the problem persists, check the support links at www.xerox.com/officeprinting/1235support .
Fuser Lower Error T2 Power Off/On	Fault	A short fault in the lower fuser Thermistor was discovered. Turn off the printer, wait 15 seconds, then turn on the printer. If the problem persists, install a new fuser. For further assistance, visit the support links at www.xerox.com/officeprinting/1235support .
Fuser Missing Reseat Fuser	Fault	The fuser is either missing or requires reseating to be recognized by the printer. Turn off the printer, make sure the fuser is properly installed and turn on the printer. If the problem persists, install a new fuser. For further assistance, visit the support links at www.xerox.com/officeprinting/1235support .

Front Panel Messages (cont'd.)

Message	Type	Explanation/Corrective Action
Fuser Upper Error T1 Power Off/On	Fault	A short fault in the upper fuser Thermistor was discovered. Turn off the printer, wait 15 seconds, then turn on the printer. Be sure you have the proper voltage fuser installed. A 220 volt fuser in a 110 volt printer will cause this fault. If the problem persists, install a new fuser. For further assistance, visit the support links at www.xerox.com/officeprinting/1235support .
Fuser Near End Of Life	Attention	The fuser is near its end of life. Printing can continue until the printer determines that the fuser is at its end of life; however, some degradation of image quality may occur. The message remains until interrupted by other messages or until the fuser is replaced.
Hard Disk Formatting Please Wait	Attention	The hard disk is being formatted. Data cannot be written to the disk until the formatting is completed.
Hard Disk Full Press Enter To Clear	Attention	There was a hard disk full error that prevented the data from being written. Press the Enter button to clear the message. Print or delete Secure Print and Proof Print jobs to free up disk space.
Hard Disk Initializing Please Wait	Attention	The hard disk is being initialized. Data cannot be written to the disk until the formatting is completed.
Jam A10, Remove Prints Open Cover A, See Labels	Fault	Paper did not exit the printer or fuser properly, causing a paper jam. Open Cover A and refer to the labels on the printer to clear the jam. For more information, see the sections <i>Solving Printing Problems</i> <RefInTable>(page 98).
Jam A11, Remove Prints Open Cover A, See Labels	Fault	Paper did not enter the transport area correctly, causing a paper jam. Open Cover A and refer to the labels on the printer to clear the jam. For more information, see the sections <i>Solving Printing Problems</i> <RefInTable>(page 98).
Jam A22, Remove Prints Open Cover A, See Labels	Fault	Paper did not exit the paper feed area correctly, causing a paper jam. Open Cover A and refer to the labels on the printer to clear the jam. For more information, see the sections <i>Solving Printing Problems</i> <RefInTable>(page 98).
Jam A6, Remove Prints Open Cover A, See Labels	Fault	Paper did not exit the Multi-sheet Bypass Feeder properly, causing a paper jam. Open Cover A and refer to the labels on the printer to clear the jam. For more information, see the sections <i>Solving Printing Problems</i> <RefInTable>(page 98).

Front Panel Messages (cont'd.)

Message	Type	Explanation/Corrective Action
Jam A7, Remove Prints Open Cover A, See Labels	Fault	Paper did not enter the duplex module properly, causing a paper jam. Open Cover A and refer to the labels on the printer to clear the jam. For more information, see the sections <i>Solving Printing Problems</i> <RefInTable>(page 98).
Jam B13 Open Area B, See Labels	Fault	Paper did not exit the duplex module correctly, causing a paper jam. Open Area B and refer to the labels on the printer to clear the jam. For more information, see the sections <i>Solving Printing Problems</i> <RefInTable>(page 98).
Jam B21 Open Cover B, See Labels	Fault	Paper did not exit the transport area correctly, causing a paper jam. Open Cover B and refer to the labels on the printer to clear the jam. For more information, see the sections <i>Solving Printing Problems</i> <RefInTable>(page 98).
Jam B8 Open Cover B, See Labels	Fault	Paper did not enter the duplex module properly, causing a paper jam. Open Cover B and refer to the labels on the printer to clear the jam. For more information, see the sections <i>Solving Printing Problems</i> <RefInTable>(page 98).
LED Error [Black LED Error U21] [Cyan LED Error U20] [Magenta LED Error U19] [Yellow LED Error U18] Power Off/On	Fault	The LED bar is either missing or requires reseating to be recognized by the printer. Turn off the printer, wait 15 seconds, then turn on the printer. If the problem persists, check the support links at www.xerox.com/officeprinting/1235support .
LED Over Temperature T32 Power Off/On	Fault	One of the LED bars is reporting a temperature error. Turn off the printer, wait 15 seconds, then turn on the printer. If the problem persists, check the support links at www.xerox.com/officeprinting/1235support .
Load Tray # Size Type	Fault	The specified paper size and type requested by the print job is not available in the specified tray. Load the specified paper or press Enter to print from the tray anyway.
Power Supply Error U6 Power Off/On	Fault	During the printer's self diagnostics it was detected that the power supply voltage is out of specification. Turn off the printer, wait 15 seconds, then turn on the printer. If the problem persists, check the support links at www.xerox.com/officeprinting/1235support .

Front Panel Messages (cont'd.)

Message	Type	Explanation/Corrective Action
Replace Drum Replace Black Drum Replace Cyan Drum Replace Magenta Drum Replace Yellow Drum	Fault	The imaging drum has reached its end of life. Install a new imaging drum.
Replace Fuser	Fault	The fuser has reached its end of life. Install a new fuser.
Replace Transfer Belt	Fault	The transfer belt has reached its end of life. Install a new transfer belt.
RH Sensor Error T30 Power Off/On	Fault	The relative humidity sensor is either not communicating or reporting invalid data. Turn off the printer, wait 15 seconds, then turn on the printer. If the problem persists, check the support links at www.xerox.com/officeprinting/1235support .
Roller Over Temp T31 Power Off/On	Fault	The fuser temperature sensor is reporting a temperature error. Turn off the printer, wait 15 seconds, then turn on the printer. If the problem persists, install a new fuser. For further assistance, visit the support links at www.xerox.com/officeprinting/1235support .
Roller Position Error U10 Power Off/On	Fault	An error has been detected with the pinch rollers not being in the expected position. Turn off the printer. Pull the pinch roller release lever, located on the right hand side of the printer, forward and then push backward to return the lever to its home position. Then turn on the printer. If the problem persists, check the support links at www.xerox.com/officeprinting/1235support .

Front Panel Messages (cont'd.)

Message	Type	Explanation/Corrective Action
Supply Fan Error U9 Power Off/On	Fault	An error has been detected with the power supply cooling fan. Turn off the printer, wait 15 seconds, then turn on the printer. If the problem persists, check the support links at www.xerox.com/officeprinting/1235support .
Temp Sensor Error T29 Power Off/On	Fault	The temperature sensor is either not communicating or reporting invalid data. Turn off the printer, wait 15 seconds, then turn on the printer. If the problem persists, check the support links at www.xerox.com/officeprinting/1235support .
Toner Empty [Black Toner Empty] [Cyan Toner Empty] [Magenta Toner Empty] [Yellow Toner Empty] Replace Toner	Fault	The toner cartridge has reached its end of life. Install a new toner cartridge.
Toner Low Black Toner Low Cyan Toner Low Magenta Toner Low Yellow Toner Low	Attention	The level of toner in the toner cartridge is low and should be replaced soon, as it is near its end of life. Printing can continue until the toner cartridge is empty; however, some degradation of image quality may occur. The message remains until interrupted by other messages or until the toner cartridge is replaced.
Toner Missing [Black Toner Missing] [Cyan Toner Missing] [Magenta Toner Missing] [Yellow Toner Missing] Reseat Toner	Fault	The toner is either missing or requires reseating to be recognized by the printer. Reseat the toner. If that does not fix the problem, turn off the printer, wait 15 seconds, then turn on the printer. If the problem persists, check the support links at www.xerox.com/officeprinting/1235support .
Top Cover A Open Close Top Cover A	Fault	The top cover (Cover A) is open. Close the cover so that printing can continue.
Top Output Bin Full Remove Prints	Fault	The top (face-down) bin is full and cannot accept any more prints until it is emptied. Once emptied, printing will continue where it left off.
Transfer Belt Missing Reseat Belt	Fault	The transfer belt is either missing or requires reseating to be recognized by the printer. Turn off the printer, make sure the transfer belt is properly installed and turn on the printer. If the problem persists, install a new transfer belt. For further assistance, visit the support links at www.xerox.com/officeprinting/1235support .

Front Panel Messages (cont'd.)

Message	Type	Explanation/Corrective Action
Transfer Belt Near End Of Life	Attention	The transfer belt is near its end of life. Printing can continue until the printer determines that the transfer belt is at its end of life; however, some degradation of image quality may occur. The message remains until interrupted by other messages or until the transfer belt is replaced.
Tray I/F Error [Tray 2 I/F Error U14] [Tray 3 I/F Error U13] Power Off/On	Fault	An error has been detected with the indicated tray's interface and communication path. Turn off the printer, wait 15 seconds, then turn on the printer. If the problem persists, check the support links at www.xerox.com/officeprinting/1235support .
Tray Misfeed [Tray 1 Misfeed] [Tray 2 Misfeed] [Tray 3 Misfeed] Open Tray, Cover B	Fault	Paper did not exit the indicated tray properly, causing a paper jam. Pull out the tray, retrieve and discard the misfed paper and reinsert the tray. Open Cover B to search for additional paper. You must open Cover B to clear the misfeed message on the front panel.
Tray Paper Low [Tray 1 Paper Low] [Tray 2 Paper Low] [Tray 3 Paper Low]	Attention	The printer has detected that the paper level in the indicated tray is low. Printing can continue until the tray runs out of paper. Reload the tray as soon as possible to avoid printing interruptions.

Printer Management Status Messages

Your printer management software displays alert messages on your workstation when operator intervention is required at the printer. The message provides information about the condition of the printer and the suggested or required course of action. (Similar messages are displayed on the printer's front panel, as described in the section *Front Panel Messages* on page 82.)

The table below lists fault and attention messages in alphabetical order, along with an explanation and corrective action.

Printer Management Status Messages

Message	Type	Explanation/Corrective Action
A6-Bypass Feeder Jam	Fault	Paper did not exit the Multi-sheet Bypass Feeder properly, causing a paper jam. Open Cover A and refer to the labels on the printer to clear the jam.
A7-Duplex Entry Jam	Fault	Paper did not enter the duplex module properly, causing a paper jam. Open Cover A and refer to the labels on the printer to clear the jam.
A10-Paper Output Jam	Fault	Paper did not exit the printer or fuser properly, causing a paper jam. Open Cover A and refer to the labels on the printer to clear the jam.
A11-Paper Feed Jam	Fault	Paper did not enter the transport area correctly, causing a paper jam. Open Cover A and refer to the labels on the printer to clear the jam.
A22-Feed Path Jam	Fault	Paper did not exit the paper feed area correctly, causing a paper jam. Open Cover A and refer to the labels on the printer to clear the jam.

Printer Management Status Messages (cont'd.)

Message	Type	Explanation/Corrective Action
B8-Duplex Jam	Fault	Paper did not enter the duplex module properly, causing a paper jam. Open Cover B and refer to the labels on the printer to clear the jam.
B13-Duplex Inverter Jam	Fault	Paper did not exit the duplex module correctly, causing a paper jam. Open Area B and refer to the labels on the printer to clear the jam.
B21-Duplex Area Jam	Fault	Paper did not exit the transport area correctly, causing a paper jam. Open Cover B and refer to the labels on the printer to clear the jam.
Cn-Check Tray [C1-Check Tray 1] [C2-Check Tray 2] [C3-Check Tray 3]	Fault	The tray is not installed. Make sure the tray is fully inserted.
En-Tray Misfeed [E1-Tray 1 Misfeed] [E2-Tray 2 Misfeed] [E3-Tray 3 Misfeed]	Fault	Paper did not exit the tray properly, causing a paper jam. Pull out the tray, retrieve and discard the misfed paper and reinsert the tray. Open Cover B to search for additional paper. Cover B must be opened to clear the misfeed message on the front panel.
E9-Top Cover A Open	Fault	The top cover (Cover A) is open. Close the cover so that printing can continue.
E12-Output Bin Full, Top	Fault	The top (face-down) bin is full and cannot accept any more prints until it is emptied. Once emptied, printing will continue where it left off.
E14-Front Cover B Open	Fault	The front cover (Cover B) is open. Close the cover so that printing can continue.
Ea-Drum Missing [EA-Black Drum Missing] [EB-Cyan Drum Missing] [EC-Magenta Drum Missing] [ED-Yellow Drum Missing]	Fault	The imaging drum is either missing or requires reseating to be recognized by the printer. Turn off the printer, make sure the imaging drum is properly installed and turn on the printer. If the problem persists, install a new imaging drum. For further assistance, check the support links at www.xerox.com/officeprinting/1235support .

Printer Management Status Messages (cont'd.)

Message	Type	Explanation/Corrective Action
EE-Transfer Belt Unit Missing	Fault	The transfer belt is either missing or requires reseating to be recognized by the printer. Turn off the printer, make sure the transfer belt is properly installed and turn on the printer. If the problem persists, check the support links at www.xerox.com/officeprinting/1235support .
EF-Fuser Unit Missing	Fault	The fuser is either missing or requires reseating to be recognized by the printer. Turn off the printer, make sure the fuser is properly installed and turn on the printer. If the problem persists, install a new fuser. For further assistance, visit the support links at www.xerox.com/officeprinting/1235support .
H1-Hard Disk Read Error	Attention	There was a hard disk read error that prevented the data from being read. Press the Enter button to clear the message. Turn off the printer, wait 15 seconds, then turn on the printer. If the problem persists, visit the support links at www.xerox.com/officeprinting/1235support for further assistance.
H2-Hard Disk Write Error	Attention	There was a hard disk write error that prevented the data from being written. Press the Enter button to clear the message. Turn off the printer, wait 15 seconds, then turn on the printer. If the problem persists, visit the support links at www.xerox.com/officeprinting/1235support for further assistance.
H3-Hard Disk Full	Attention	There was a hard disk full error that prevented the data from being written. Press the Enter button to clear the message. Print or delete Secure Print and Proof Print jobs to free up disk space.
H4-Hard Disk Formatting	Attention	The hard disk is being formatted. Data cannot be written to the disk until the formatting is completed.
H5-Hard Disk Initializing	Attention	The hard disk is being initialized. Data cannot be written to the disk until the formatting is completed.
J3-Replace Fuser	Fault	The fuser has reached its end of life. Install a new fuser.
J4-Replace Transfer Belt	Fault	The transfer belt has reached its end of life. Install a new transfer belt.
Jn-Replace Drum [J5-Replace Yellow Drum] [J6-Replace Magenta Drum] [J7-Replace Cyan Drum] [J8-Replace Black Drum]	Fault	The imaging drum has reached its end of life. Install a new imaging drum.

Printer Management Status Messages (cont'd.)

Message	Type	Explanation/Corrective Action
Jn-Toner Empty [J9-Yellow Toner Empty] [J10-Magenta Toner Empty] [J11-Cyan Toner Empty] [J12-Black Toner Empty]	Fault	The toner cartridge has reached its end of life. Install a new toner cartridge.
Load Tray #, Size Type	Fault	The specified paper size and type requested by the print job is not available in the specified tray. Load the specified paper or press Enter to print anyway from the tray.
T1-Fuser Upper Error	Fault	A short fault in the upper fuser Thermistor was discovered. Turn off the printer, wait 15 seconds, then turn on the printer. If the problem persists, install a new fuser. For further assistance, visit the support links at www.xerox.com/officeprinting/1235support .
T2-Fuser Lower Error	Fault	A short fault in the lower fuser Thermistor was discovered. Turn off the printer, wait 15 seconds, then turn on the printer. If the problem persists, install a new fuser. For further assistance, visit the support links at www.xerox.com/officeprinting/1235support .
T29-Temp Sensor Error	Fault	The temperature sensor is either not communicating or reporting invalid data. To reset the sensor, open and close the top cover. If the problem persists, check the support links at www.xerox.com/officeprinting/1235support .
T30-RH Sensor Error	Fault	The relative humidity sensor is either not communicating or reporting invalid data. Turn off the printer, wait 15 seconds, then turn on the printer. If the problem persists, check the support links at www.xerox.com/officeprinting/1235support .
T31-Roller Over Error	Fault	The fuser temperature sensor is reporting a temperature error. Turn off the printer, wait 15 seconds, then turn on the printer. If the problem persists, install a new fuser. For further assistance, visit the support links at www.xerox.com/officeprinting/1235support .
T32-LED Over Temp Error	Fault	One of the LED bars is reporting a temperature error. Turn off the printer, wait 15 seconds, then turn on the printer. If the problem persists, check the support links at www.xerox.com/officeprinting/1235support .

Printer Management Status Messages (cont'd.)

Message	Type	Explanation/Corrective Action
U0-Engine ROM Error	Fault	During the printer's self diagnostics there was a problem reading the engine ROM. Turn off the printer, wait 15 seconds, then turn on the printer. If the problem persists, check the support links at www.xerox.com/officeprinting/1235support .
U1-Engine RAM Error	Fault	During the printer's self diagnostics there was a problem reading the engine RAM. Turn off the printer, wait 15 seconds, then turn on the printer. If the problem persists, check the support links at www.xerox.com/officeprinting/1235support .
U2-Engine EPROM Error	Fault	During the printer's self diagnostics there was a problem reading the engine EPROM. Turn off the printer, wait 15 seconds, then turn on the printer. If the problem persists, check the support links at www.xerox.com/officeprinting/1235support .
U3-Engine EPROM Missing	Fault	During the printer's self diagnostics there was a problem detecting the engine EPROM. Turn off the printer, wait 15 seconds, then turn on the printer. If the problem persists, check the support links at www.xerox.com/officeprinting/1235support .
U4-Engine SRAM Error	Fault	During the printer's self diagnostics there was a problem reading the engine SRAM. Turn off the printer, wait 15 seconds, then turn on the printer. If the problem persists, check the support links at www.xerox.com/officeprinting/1235support .
U5-Engine Control Error	Fault	During the printer's self diagnostics there was a problem with the internal control logic. Turn off the printer, wait 15 seconds, then turn on the printer. If the problem persists, check the support links at www.xerox.com/officeprinting/1235support .
U6-Power Supply Error	Fault	During the printer's self diagnostics it was detected that the power supply voltage is irregularly high. Turn off the printer, wait 15 seconds, then turn on the printer. If the problem persists, check the support links at www.xerox.com/officeprinting/1235support .
U7-Feeder Home Error	Fault	An error has been detected with the home position of the front paper feeder. Turn off the printer, wait 15 seconds, then turn on the printer. If the problem persists, check the support links at www.xerox.com/officeprinting/1235support .

Printer Management Status Messages (cont'd.)

Message	Type	Explanation/Corrective Action
U8-Controller Fan Error	Fault	An error has been detected with the controller cavity cooling fan. Turn off the printer, wait 15 seconds, then turn on the printer. If the problem persists, check the support links at www.xerox.com/officeprinting/1235support .
U9-Supply Fan Error	Fault	An error has been detected with the power supply cooling fan. Turn off the printer, wait 15 seconds, then turn on the printer. If the problem persists, check the support links at www.xerox.com/officeprinting/1235support .
U10-Roller Position Error	Fault	An error has been detected with the pinch rollers not being in the expected position. Turn off the printer, wait 15 seconds, then turn on the printer. If the problem persists, check the support links at www.xerox.com/officeprinting/1235support .
U12-Duplex I/F Error	Fault	An error has been detected with the duplex module interface and communication path. Make sure the Auto Duplex Unit is properly installed. If the problem persists, check the support links at www.xerox.com/officeprinting/1235support .
U13-Tray 3 I/F Error	Fault	An error has been detected with the Tray 3 interface and communication path. Turn off the printer, wait 15 seconds, then turn on the printer. If the problem persists, check the support links at www.xerox.com/officeprinting/1235support .
U14-Tray 2 I/F Error	Fault	An error has been detected with the Tray 2 interface and communication path. Turn off the printer, wait 15 seconds, then turn on the printer. If the problem persists, check the support links at www.xerox.com/officeprinting/1235support .
U15-Front Panel Error	Fault	An error has been detected with the front panel interface and communication path. Turn off the printer, wait 15 seconds, then turn on the printer. If the problem persists, check the support links at www.xerox.com/officeprinting/1235support .

Printer Management Status Messages (cont'd.)

Message	Type	Explanation/Corrective Action
Un-LED Bar Missing [U18-Yellow LED Bar Missing] [U19-Magenta LED Bar Missing] [U20-Cyan LED Bar Missing] [U21-Black LED Bar Missing]	Fault	The LED bar is either missing or requires reseating to be recognized by the printer. Turn off the printer, wait 15 seconds, then turn on the printer. If the problem persists, check the support links at www.xerox.com/officeprinting/1235support .
Un-Drum Error [U26-Yellow Drum Error] [U27-Magenta Drum Error] [U28-Cyan Drum Error] [U29-Black Drum Error]	Fault	The imaging drum is either missing or requires reseating to be recognized by the printer. Turn off the printer, make sure the imaging drum is properly installed and turn on the printer. If the problem persists, install a new imaging drum. For further assistance, visit the support links at www.xerox.com/officeprinting/1235support .
Wn-Toner Low [W1-Yellow Toner Low] [W2-Magenta Toner Low] [W3-Cyan Toner Low] [W4-Black Toner Low]	Attention	The level of toner in the toner cartridge is low. The toner cartridge should be replaced soon, as it is near its end of life. Printing can continue until the toner cartridge is empty; however, some degradation of image quality may occur. The message remains until interrupted by other messages or until the toner cartridge is replaced.
Un-Toner Missing [U22-Yellow Toner Missing] [U23-Magenta Toner Missing] [U24-Cyan Toner Missing] [U25-Black Toner Missing]	Fault	The toner is either missing or requires reseating to be recognized by the printer. Turn off the printer, wait 15 seconds, then turn on the printer. If the problem persists, check the support links at www.xerox.com/officeprinting/1235support .
W5-Transfer Belt Near End Of Life	Attention	The transfer belt is near its end of life. Printing can continue until the printer determines that the transfer belt is at its end of life; however, some degradation of image quality may occur. The message remains until interrupted by other messages or until the transfer belt is replaced.

Printer Management Status Messages (cont'd.)

Message	Type	Explanation/Corrective Action
W6-Fuser Near End Of Life	Attention	The fuser is near its end of life. Printing can continue until the printer determines that the fuser is at its end of life; however, some degradation of image quality may occur. The message remains until interrupted by other messages or until the fuser is replaced.
W7-Drum Near End Of Life [W7-Yellow Drum Near End Of Life] [W8-Magenta Drum Near End Of Life] [W9-Cyan Drum Near End Of Life] [W10-Black Drum Near End Of Life]	Attention	The imaging drum is near its end of life. Printing can continue until the printer determines that the imaging drum is at its end of life; however, some degradation of image quality may occur. The message remains until interrupted by other messages or until the imaging drum is replaced.
W11-Tray 1 Paper Low	Attention	The printer has detected that the paper level in Tray 1 is low. Printing can continue until the tray runs out of paper. Reload the tray as soon as possible to avoid printing interruptions.
W12-Tray 2 Paper Low	Attention	The printer has detected that the paper level in Tray 2 is low. Printing can continue until the tray runs out of paper. Reload the tray as soon as possible to avoid printing interruptions.
W13-Tray 3 Paper Low	Attention	The printer has detected that the paper level in Tray 3 is low. Printing can continue until the tray runs out of paper. Reload the tray as soon as possible to avoid printing interruptions.

Solving Printing Problems

If you have any problems with the operation of your printer, refer to the table below for suggested remedies.

Printer Operation Problems

Problem	Action
<p>The printer will not print at all, or a file sent from the client/server will not print.</p>	<ul style="list-style-type: none"> ■ Make sure the printer is on-line. ■ Turn off the printer, wait 15 seconds, then turn on the printer. ■ Make sure the printer driver is properly installed and the correct options are selected. ■ Check with your network administrator to see that the printer is powered up, connected to the network and that the network is operational. ■ Check front panel messages for “Paper Jam,” “Cover Open,” etc. ■ If the port (parallel or network) the printer is connected to is disabled, enable it. To verify that it is enabled, check the Configuration Sheet for the port you are using to see if the Port Enable item in the appropriate Interface Menu is set to <i>On</i>. If it is set to <i>Off</i>, set it to <i>On</i> and try again. ■ If the printer has printed recently, do the following: <ul style="list-style-type: none"> ■ Attempt to print a Configuration Sheet. For information on printing a configuration sheet, refer to the section <i>Printing Printer Reports</i> on page 45. If it does not print, check the support links at www.xerox.com/officeprinting/1235support for further assistance. ■ If the Configuration Sheet prints, check to see that the printer is configured properly. ■ If the printer is configured properly, check the Configuration Sheet to confirm that the correct PDL is enabled for the port or protocol you are using. ■ If the correct PDL is enabled and the printer continues not to print, check the support links at www.xerox.com/officeprinting/1235support for further assistance. ■ If your job still fails to print, resend the job. Network technical difficulties can interfere with a job printing.

Printer Operation Problems (cont'd.)

Problem	Action
A printed page does not look like it should.	<ul style="list-style-type: none"> ■ Make sure that the software application you are using to create your print job is configured properly. Refer to your software documentation. ■ Make sure you have selected the appropriate media type in the printer's front panel. ■ Make sure the recommended driver is being used. <ul style="list-style-type: none"> ■ Verify that the options you have selected within the driver are installed on the destination printer as specified in the Configuration Sheet. ■ Try using the default settings of the driver.
The requested font for the job does not print.	<p data-bbox="630 617 1372 648">Print a PCL Font List, or PostScript Font List if the job is PostScript.</p> <ul style="list-style-type: none"> ■ If fonts print on the Font List, your print job may need correcting. ■ If fonts do not print on the Font List, reload the fonts and print another PCL or PostScript Font List. ■ For information on font substitution, refer to <i>Font substitution table</i> on page 32.
2-sided printing	<ul style="list-style-type: none"> ■ Make sure the Auto Duplex Unit is installed. ■ Make sure the 2-sided printing option is selected in the printer driver. ■ Make sure the paper type selected in the printer driver is supported for 2-sided printing. ■ 2-sided printing is supported only from Trays 1, 2 and 3. ■ 2-sided printing is not supported from the Multi-sheet Bypass Feeder (MBF). ■ 2-sided printing is not available with either the 1st page different or separator page options.
PostScript commands are printed instead of the PostScript job.	<ul style="list-style-type: none"> ■ Make sure that the software application you are using to create your job is configured properly. Refer to your software documentation. ■ The job sent to the printer might have included an incorrect header and therefore, not have indicated that a PostScript job was being sent. <ul style="list-style-type: none"> ■ Check your software to make sure you are using the correct printer driver. ■ Set the Print Errors item in the Print PostScript Menu to <i>On</i> and resend the job. <ul style="list-style-type: none"> ■ If an error page prints, there is a problem in the PostScript coding. The error page contains vital information. Retain the page and check the support links at www.xerox.com/officeprinting/1235support for further assistance. ■ If an error page was not printed, the printer may require additional memory to process the job. ■ Verify that the port is set to <i>Auto</i> or <i>PostScript</i>.

Printer Operation Problems (cont'd.)

Problem	Action
A PostScript or PCL job fails to print.	<ul style="list-style-type: none">■ Check that you are using the correct printer driver.■ For a PostScript job, set the Print Errors item in the PostScript Menu to <i>On</i> and resend the job.<ul style="list-style-type: none">■ If an error page prints, there is a problem in the PostScript coding. The error page contains vital information. Retain the page and check the support links at www.xerox.com/officeprinting/1235support for further assistance.■ If an error page was not printed, the printer may require additional memory to process the job.■ For a PCL job, do the following:<ul style="list-style-type: none">■ Check prints for PCL errors.■ If there is a problem in the PCL coding, correct the coding problem and resend the job.■ If there is no error message, resend the job.

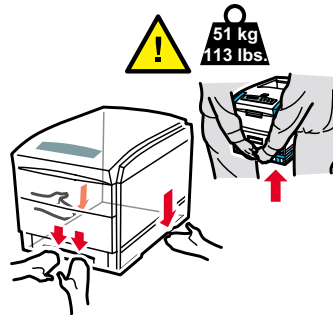
Using Printer Options

Installation Precautions

The Phaser 1235 Color Printer options are easy to install; however, before you attempt to install (or remove) any printer options, please read and observe the following precautions.

Warning

TWO PEOPLE ARE REQUIRED WHEN LIFTING OR CARRYING THE PRINTER. The printer should always be lifted and carried by two people, as shown below. Exercise care in moving or relocating the printer, it is front-heavy and could tip forward. Follow the recommended procedure when moving the printer from one location to another. Refer to the Phaser 1235 Color Printer Setup Instructions.



Warning

DISCONNECT THE POWER CORD: Never remove the printer controller board while the printer is plugged in. To avoid the possibility of electrical shock, always disconnect the power cord when installing or removing ANY internal or external printer option.

Warning

DISCHARGE STATIC ELECTRICITY: The controller board and internal printer options (Hard Drive, Token Ring Card, Memory) are sensitive to static electricity. Before installing or removing an internal option, discharge static electricity from your body by touching something metal, such as the metal back plate on any device plugged into a grounded power source. If you walk around before finishing the installation, again discharge any static electricity.

Hard Drive

Warning

DISCHARGE STATIC ELECTRICITY: The controller board and internal printer options (Hard Drive, Token Ring Card, Memory) are sensitive to static electricity. Before installing or removing an internal option, discharge static electricity from your body by touching something metal, such as the metal back plate on any device plugged into a grounded power source. If you walk around before finishing the installation, again discharge any static electricity.

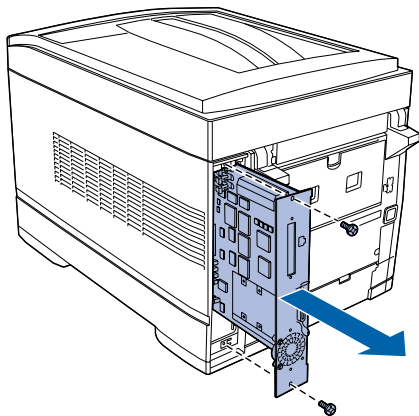
If you install the optional hard drive in the printer, it will significantly increase the amount of memory available for processing jobs and storing downloaded information (such as fonts, forms, overlays (macros) and Secure Print and Proof Print jobs).

The hard drive is used for the following:

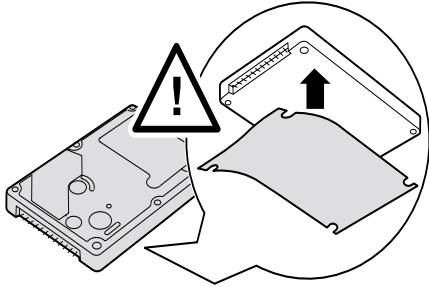
- Support of the PostScript file system.
- Support of the PJJ/PCL file system.
- Support for Secure Print and Proof Print jobs.
- Downloading fonts, forms and overlays.
- TIFF and PDF printing

Installation

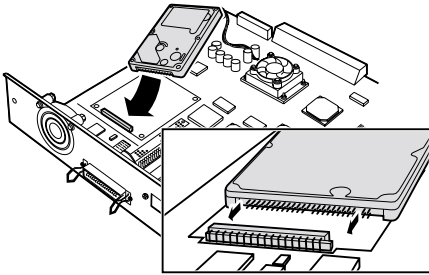
Follow this procedure to install the hard drive.



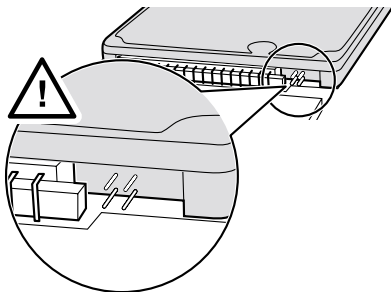
- 1 Turn off the printer and disconnect cables and power cord.
- 2 Remove the screws that secure the controller board and slide the controller board out of the printer. Place it on a stable horizontal surface.



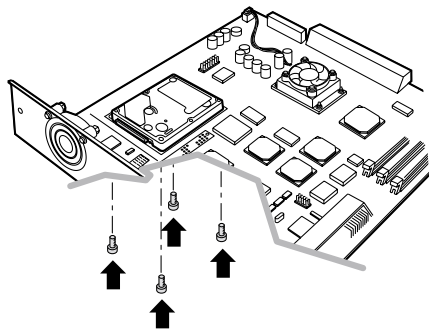
- 3 Peel backing from insulating paper. Align the insulating paper to match the shape of the bottom of the hard drive. Press it in place on the bottom of the hard drive



- 4 Place the hard drive in position on the circuit card assembly.



- 5 Align the hard drive carefully so that the rightmost four pins on the hard drive are to the right of the connector on the circuit card assembly and slide it firmly in place.



- 6 Secure the hard drive in place using four screws. If the screws don't line up correctly with the holes in the bottom of the hard drive, check alignment of the hard drive as indicated in step 5 above.
- 7 Align the controller board with the printer's guide channel and slide the board all the way into the printer until it stops. Then replace the screws to secure the controller board.
- 8 Reconnect the power cord and all cables and turn on the printer.
- 9 Print a Configuration Sheet (as described on page 45) and confirm that the hard drive appears as an installed option. If any problems occur, reinstall the drive. If problems persist, check the support links at www.xerox.com/officeprinting/1235support for assistance.

Disk Initialization

The disk is preformatted and requires no initialization. The disk may be returned to its initial state, with no loaded fonts, overlays or Secure Print/Proof Print jobs, by selecting the Init Disk item from the **Reset Menu**.

Downloading Fonts, Forms and Macros

Additional fonts can be downloaded to the printer with the Font download Utility, the PCL 5C driver, or PJJL commands.

Font Download Utility

Font Download Utility, a Windows based graphical user interface tool downloads fonts (single/double byte) to the hard drive. In PostScript, the supported font types are Type 1, Type 2 and Forms. In PCL, the supported font types are HP-PCL fonts (Bitmap, Scalable and Macro). Windows TrueType fonts can also be downloaded in PostScript (Type 1 ASCII).

This utility can print a list of the fonts currently loaded on the hard drive and is supported on Windows 95/Windows 98, NT4.0 and Windows 2000. It can be installed from the Phaser 1235 Color Printer CD-ROM.

Type the PJJL command FSDOWNLOAD to download fonts, forms and macros to its hard drive. These files may be deleted from the hard drive by the PJJL command FSDELETE.

FSDOWNLOAD Command

The FSDOWNLOAD command is used to download fonts or macros to the printer's file system. If a file with the same name exists, the downloaded file overwrites it.

Syntax @PJL FSDOWNLOAD FORMAT:BINARY [SIZE=int] [NAME = "*pathname*"]
 [<CR>] <LF><binary data><ESC>%-12345X

Parameters	Parameter	Functional Range	Default
	SIZE= <i>integer</i>	0 to $2^{31} - 1$	N/A
	NAME=" <i>pathname</i> "	ASCII 01 thru 255	N/A

SIZE = *integer* — The size variable indicates the number of bytes in the file to be downloaded. The size indicates the number of bytes immediately following the <LF> to the next UEL command.

NAME = "*pathname*" — where "*pathname*" = 0:\pcl\fonts*<fontname>* to download a font named "*fontname*" to the printer's hard disk drive or = 0:\pcl\macros*<macroname>* to download a macro named "*macroname*" to the printer. *<fontname>/<macroname>* can be any combination of up to 40 alphanumeric characters.

<binary data> — This is the binary file data to be downloaded, such as font files and macro data.

The following is a sequence of commands that can be sent to the printer to download a macro to the hard drive. In this example, the macro is named “a_macro.”

```
<ESC>%-12345X @PJL<CR><LF>  
@PJL FSDOWNLOAD FORMAT:BINARY NAME ="0:\pcl\macros\a_macro"  
SIZE=29<CR><LF>  
<ESC>*p900x1500YThis is the macro <ESC>%-12345X
```

In this example:

- <ESC>%-12345X is the PJL UEL command which starts this sequence.
- @PJL<CR><LF> is the mandatory PJL command following the UEL command.
- @PJL FSDOWNLOAD... downloads a macro of 29 bytes named “a_macro.”
- The phrase “This is the macro” is positioned at x=900 and y=1500 by this macro.
- <ESC>%-12345X is the UEL command which ends this sequence.

Executing this macro requires the following PCL sequence:

<ESC>&n8W<HEX'04'>new_mac<CR,LF>	Sets the current macro ID to the string ID “new_mac”
<ESC>&n8W<HEX'05'>a_macro<CR,LF>	Associates the current macro ID with the supplied string ID
<ESC>&f2x<CR,LF>	Executes this macro

Note

The macro ID must be the same case as in the original download command.

Note

The byte count (after the “n” and before the “W”) must equal the ID byte count plus 1.

The following is a sequence of commands that can be sent to the printer to download a font to the hard drive.

```
<ESC>%-12345X @PJL<CR><LF>
@PJL FSDOWNLOAD FORMAT:BINARY NAME ="0:\pcl\fonts\font1" SIZE=XX<CR><LF>
<binary data><ESC>%-12345X
```

In this example:

- <ESC>%-12345X is the PJL UEL command which starts this sequence.
- @PJL<CR><LF> is the mandatory PJL command following the UEL command.
- @PJL FSDOWNLOAD... downloads a font named “font1” that is “XX” bytes in size.
- <ESC>%-12345X is the UEL command which ends this sequence.
- Invoking this font requires the following PCL sequence:

<code><ESC>&n6W<HEX'00'>font2<CR,LF></code>	Sets the current font ID to the given string ID “font2”
<code><ESC>&n6W<HEX'01'>font1<CR,LF></code>	Associates the current font ID with the string ID “font1”
<code><ESC>&n6W<HEX'02'>font1<CR,LF></code>	Selects the font referred to as “font1” for the primary font

Note

The case of the string ID must be the same as the case of the fontname in the FSDOWNLOAD command.

Note

The byte count (“6” in the above example) must equal the string ID byte count plus 1.

FSDELETE Command

The FSDELETE command is used to delete files from the printer’s hard drive.

Syntax

```
@PJL FSDELETE NAME = "pathname" [<CR>] <LF>
```

Parameters

Parameter	Functional Range	Default
NAME=" <i>pathname</i> "	ASCII 01 thru 255	N/A

NAME = "*pathname*" — where "*pathname*" has the same parameters as the FSDOWNLOAD command (see page 105).

Token Ring Card

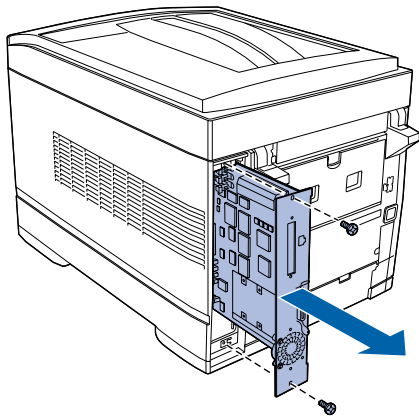
Note

DISCHARGE STATIC ELECTRICITY: The controller board and internal printer options (Hard Drive, Token Ring Card, Memory) are sensitive to static electricity. Before installing or removing an internal option, discharge static electricity from your body by touching something metal, such as the metal back plate on any device plugged into a grounded power source. If you walk around before finishing the installation, again discharge any static electricity.

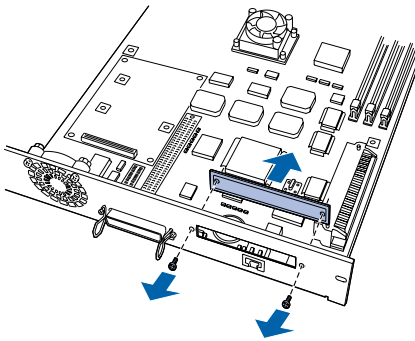
Installation

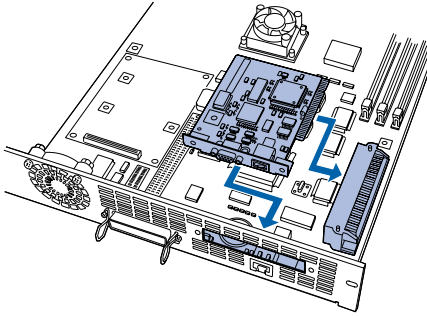
Follow this procedure to install the Token Ring Card.

- 1 Turn off the printer and disconnect cables and power cord.
- 2 Remove the screws that secure the controller board and slide the controller board out of the printer. Place it on a stable horizontal surface.

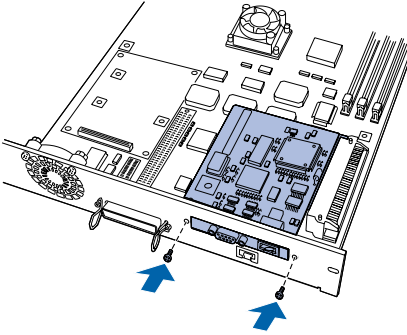


- 3 Remove the screws that secure the cover plate on the optional interface slot, then remove the cover plate.





- 4 Align the pin connectors on the Token Ring Card with the receptacle on the controller board and insert the card so that it fits into the optional interface slot.



- 5 Secure the Token Ring Card to the controller board with the screws removed in Step 3.
- 6 Align the controller board with the printer's guide channel and slide the board all the way into the printer until it stops. Then replace the screws to secure the controller board.
- 7 Reconnect the power cord and all cables and turn on the printer.
- 8 Print a Configuration Sheet (as described on page 45) and confirm that the Token Ring Card appears as an installed option. If any problems occur, reinstall the card. If problems persist, check the support links at www.xerox.com/officeprinting/1235support for assistance.

Memory

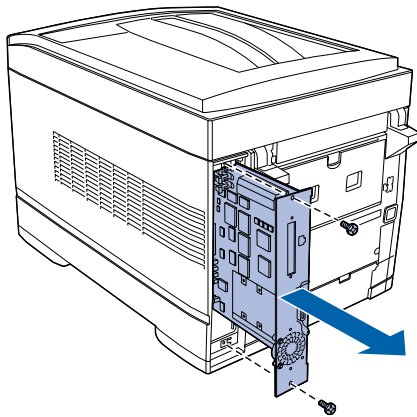
Note

DISCHARGE STATIC ELECTRICITY: The controller board and internal printer options (Hard Drive, Token Ring Card, Memory) are sensitive to static electricity. Before installing or removing an internal option, discharge static electricity from your body by touching something metal, such as the metal back plate on any device plugged into a grounded power source. If you walk around before finishing the installation, again discharge any static electricity.

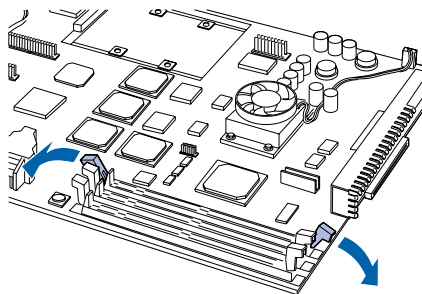
Installation

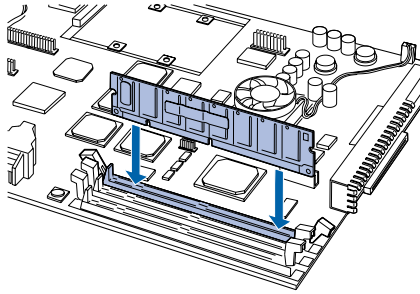
Follow this procedure to install additional memory.

- 1 Turn off the printer and disconnect cables and power cord.
- 2 Remove the screws that secure the controller board and slide the controller board out of the printer. Place it on a stable horizontal surface.



- 3 Pull apart the clips on either side of an available memory slot.

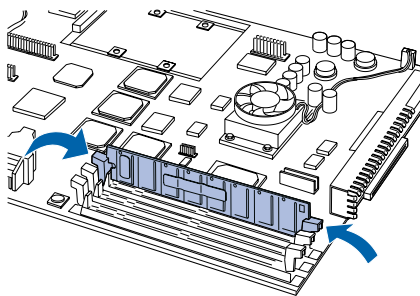




- 4 Insert the memory into the slot.

Note

256- Mbyte DIMMs must be used alone or as a pair with another 256- Mbyte DIMM. They cannot be used in combination with any other size of memory. Other sizes of memory can be paired. The maximum amount of memory the Phaser 1235 Color Printer can support is 512 Mbytes.



- 5 Secure the memory to the controller board with the clips.
- 6 Align the controller board with the printer's guide channel and slide the board all the way into the printer until it stops. Then replace the screws to secure the controller board.
- 7 Reconnect the power cord and all cables and turn on the printer.
- 8 Print a Configuration Sheet (as described on page 45) and confirm that the total memory is correct. If any problems occur, reinstall the memory. If problems persist, check the support links at www.xerox.com/officeprinting/1235support for assistance.

Printer Specifications

Physical Specifications

430 mm (16.93 in.) width

620 mm (24.4 in.) depth

430 mm (16.93 in.) height

51 kg (113 lbs.)

Environmental Specifications

Temperature

- Storage: -10 to 40 degrees C / 14 to 104 degrees F
- Operating: 10 to 32 degrees C / 50 to 90 degrees F

Relative Humidity

- Storage: 10 to 90 percent
- Operating: 15 to 85 percent

Noise Level: 47 dBA Standby/54 dBA Running

Electrical Specifications

Available in two models:

- 110 - 130 VAC, 50/60 Hz
- 200 - 240 VAC, 50/60 Hz

Power Consumption: 300 W av. / 1000 W max.

Energy Star Compliant

Blue Angel Compliant

Performance Specifications

Resolution

- 600 x 600 dpi
- 600 x 1200 dpi

Print Speed

- Up to 20 ppm (pages per minute) black
- Up to 12 ppm color

Controller Specifications

366 MHz processor

Memory

- 64 Mbytes PC100 DRAM Standard
- Upgradable to a maximum of 512 Mbytes

Page Description Languages (PDL)

- PCL 5C
- Adobe PostScript 3
- TIFF
- PDF

Resident Fonts

- 136 PostScript Type 1
- 46 Intellifonts (PostScript and PCL 5C)

Interfaces

- IEEE 1284-B bi-directional parallel
- Ethernet 10BaseT and 100BaseTx
- Optional: Token Rin

Notices and Certifications

FCC Notices (USA)

Radio Frequency

BASE PRINTER

This equipment has been tested and found to comply with the limits for a Class B digital device pursuant to Part 15 of the FCC rules. These limits are designed to provide reasonable protection against harmful interference in a residential installation. This equipment generates, uses and can radiate radio frequency energy and, if not installed and used in accordance with the instructions, may cause harmful interference to radio communications. However, there is no guarantee that interference will not occur in a particular installation. If this equipment does cause harmful interference to radio or television reception, which can be determined by turning the equipment off and on, the user is encouraged to try to correct the interference by one or more of the following measures:

- Reorient or relocate the receiving antenna.
- Increase the separation between the equipment and the receiver.
- Connect the equipment into an outlet on a circuit different from that to which the receiver is connected.
- Consult the dealer or a experienced radio/TV technician for help.

Changes or modifications to this equipment not specifically approved by the Xerox Corporation may void the authority granted by the FCC to operate this equipment.

Shielded cables must be used with this equipment to maintain compliance with FCC regulations.

This device complies with Part 15 of FCC Rules. Operation is subject to the following two conditions: (1) This device may not cause harmful interference and (2) this device must accept any interference received, including interference that may cause undesired operation.

Contact: Xerox Corporation
Phone: (800) 828-6571
Address: Xerox Corporation
800 Phillips Road
Webster, New York 14580
USA

Certifications (Canadian)

60 HZ, 115 V

The equipment is listed by the Underwriters Laboratories, UL 1950, certified by Canadian Standards Association, CSA22.2, No. 950

European Markets

CE Certification

The CE marking applied to this product symbolizes Xerox Europe Declaration of Conformity with the following applicable directives of the European Union as of the dates indicated:

January 1, 1995: - Council Directive 73/23/EEC amended by Council Directive 93/68/EEC, approximation of the laws of the member states related to low voltage equipment.

January 1, 1996: - Council Directive 89/336/EEC, approximation of the laws of member states related to electromagnetic compatibility.

A full declaration, defining the relevant Directives and referenced standards, can be obtained from your Xerox Europe representative.

Changes or modifications to this equipment not specifically approved by Xerox Europe may result in non-compliance with one or more of the directives listed above.

Shielded cables must be used with this equipment to maintain compliance with the EMC directive (89/336/EEC).

EN55022

Configuration	Specification
Base Printer	EN55022-B
Base Printer with Token Ring Card	EN55022-B

Ordering Information

Upgrade Options

Ordering Information for Printer Options

Printer Option	Part Number
Duplex Option Kit	1235DP
530 Sheet Feeder	1235LTA
Token Ring Card	1235TR
Phaser 1235 Printer Stand	1235TD
Hard Drive Kit	1235HD
64 Mbyte DIMM Kit - PC100 168pin (733W14691)	ZMB64
128 Mbyte DIMM Kit - PC100 168pin (733W14692)	ZMB128
256 Mbyte DIMM Kit - PC100 168pin (733W14698)	ZMB256
512 Mbyte DIMM Kit	ZMB512

Supplies

Ordering Information for Printer Supplies

Supply Item	Part Number
Toner, Black; Phaser 1235, Standard Capacity	006R90293
Toner, Cyan; Phaser 1235, Standard Capacity	006R90294
Toner, Magenta; Phaser 1235, Standard Capacity	006R90295
Toner, Yellow; Phaser 1235, Standard Capacity	006R90296
Toner, Black; Phaser 1235, High Capacity	006R90303
Toner, Cyan; Phaser 1235, High Capacity	006R90304
Toner, Magenta; Phaser 1235, High Capacity	006R90305
Toner, Yellow; Phaser 1235, High Capacity	006R90306
Imaging Drum, Black; Phaser 1235	013R90132
Imaging Drum, Cyan; Phaser 1235	013R90133
Imaging Drum, Magenta; Phaser 1235	013R90134
Imaging Drum, Yellow; Phaser 1235	013R90135
Fuser, 110 Volt; Phaser 1235	008R12685
Fuser, 220 Volt; Phaser 1235	008R12686
Transfer Belt; Phaser 1235	001R00559

Ordering Information for Printer Supplies

Supply Item	Part Number
Imaging Drum Rainbow Pack (each pack contains a Cyan, Magenta and Yellow imaging drum)	016-1934-00

Xerox Phaser Professional Printing Paper

Item	Size	Description	Part Number
Phaser Premium Color Printing Paper (24 lb. bond)	A/Letter (U. S.) 8.5 x 11 in.	500 sheets	016-1368-00
Phaser Premium Color Printing Paper (90 g/m ²)	A4 (Metric Letter) 210 x 297 mm	500 sheets	016-1369-00
Phaser Glossy Coated Paper (100 lb. text)	A/Letter (U. S.) 8.5 x 11 in.	100 sheets	016-1704-00
Phaser Glossy Coated Paper (148 g/m ²)	A4 (Metric Letter) 210 x 297 mm	100 sheets	016-1705-00
Phaser Premium Cover Paper (60 lb. cover)	A/Letter (U. S.) 8.5 x 11 in.	100 sheets	016-1823-00
Phaser Premium Cover Paper (160 g/m ²)	A4 (Metric Letter) 210 x 297 mm	100 sheets	016-1824-00
Phaser Premium Color Printing Paper (24 lb. bond)	A/Letter (U. S.) 8.5 x 11 in.	500 sheets	016-1368-00

Xerox Phaser 35 Series Transparency Film

Item	Size	Description	Part Number
Premium	A/Letter (U. S.) 8.5 x 11 in.	50 sheets	016-1896-00
Premium	A4 (Metric Letter) 210 x 297 mm	50 sheets	016-1897-00
Standard	A/Letter (U. S.) 8.5 x 11 in.	50 sheets	016-1894-00
Standard	A4 (Metric Letter) 210 x 297 mm	50 sheets	016-1895-00

Xerox Phaser Transparency Sleeves and Pockets

Item	Part Number
Transparency Sleeve	
A/Letter size	016-1130-00
A4 size	016-1131-00

Xerox Phaser Transparency Sleeves and Pockets (cont'd.)

Item	Part Number
Transparency Pocket A/Letter size	016-1194-00

Xerox Phaser Color Laser Labels

Size	Description	Part Number
A/Letter (U. S.) 8.5 x 11 in. (108 lb. label)	100 sheets / 30 labels per sheet 1.0 x 2.625 in. labels	016-1695-00
A/Letter (U. S.) 8.5 x 11 in. (108 lb. label)	100 sheets / 6 labels per sheet 3.33 x 4.0 in. labels	016-1696-00
A4 (Metric Letter) 210 x 297 mm (176 g/m ²)	100 sheets / 14 labels per sheet 38.1 x 99.1 mm labels	016-1688-00
A4 (Metric Letter) 210 x 297 mm (176 g/m ²)	100 sheets / 8 labels per sheet 67.7 x 99.1 mm labels	016-1689-00

Xerox Phaser Premium Business Cards

Item	Description	Part Number
A/Letter (U.S.) 8.5 x 11 in. (50 lb. bond)	25 sheets / 10 cards per sheet 2.0 x 3.5 in. cards	016-1898-00
A4 (Metric Letter) 210 x 297 mm (190 g/m ²)	25 sheets / 10 cards per sheet 55 x 86 mm cards	016-1899-00

Cleaning Kit

Item	Part Number
Contains instructions and five alcohol wipes	016-1845-00

Ordering Information

Index

A

- Apple ColorSync 2.5 • 7
- AppSocket Enable item
 - In Ethernet Menu • 60
 - In Token Ring Menu • 62
- AppSocket PDL item
 - In Ethernet Menu • 60
 - In Token Ring Menu • 62

B

- Bidirectional item • 59
- Binary PostScript item • 64
- Black Density item • 57
- Black imaging drum
 - Location • 3
- Black Overprint
 - Setting in PostScript driver • 27
- Black Overprint item • 58
- Black toner cartridge
 - Location • 3
- Booklet creation
 - PostScript jobs • 38
- Booklet printing
 - Setting in PostScript driver • 28 → 29

C

- Cancel Changes item • 57
- Cancel Job item • 52
- CD-ROMs • 10
- CentreWare DP • 23, 70
- CentreWare for SUN/Solaris • 23
- CentreWare Internet Services • 23, 71
- CentreWare TTY for UNIX • 23
- Cleaning the printer • 73

- CMYK Interpretation
 - Setting in PostScript driver • 37
- CMYK Simulation
 - Setting in PostScript driver • 30
- Collating output
 - Setting in PostScript jobs • 29
- Color Adjust Menu • 57
 - Black Density • 57
 - Cancel Changes • 57
 - Color Balance • 57
 - Color Defaults • 57
 - Color Density • 57
- Color balance
 - Adjusting • 74 → 77
 - Adjustment Recovery • 77
 - Test print • 75
- Color Balance item • 57
- Color Defaults item • 57
- Color Density item • 57
- Color management • 7
- Color Mode item • 58
- Colorimetric color matching
 - Setting in PostScript driver • 30
- Config Sheet item • 68
- Configuration Sheet
 - Printing • 45
- Configuration Sheet item • 66
- Connectivity • 6
- Control panel
 - Display • 40
 - Indicator lights • 40
 - Keys • 41 → 43
 - Enter • 41
 - Item Down • 42
 - Item Up • 42
 - Menu Down • 42
 - Menu Up • 41

- On Line • 41
 - Value Down • 43
 - Value Up • 43
- Location • 2
- Menu hierarchy • 50 → 51
- Menu options • 52
- Messages • 82 → 89
- Using • 39

CRCs • 73

Customer replaceable units • 73

Cyan imaging drum

- Location • 3

D

Default Gateway item

- In Ethernet Menu • 61
- In Token Ring Menu • 63

Defaults item • 56

Demo Page

- Printing • 45

Density

- Adjusting • 74 → 77
- Adjustment Recovery • 77

Disk Directory

- Printing • 45

Disk Directory item • 68

Draft mode

- Setting in PostScript driver • 35

Drivers

- Configuring • 25
- Definition of • 24
- Installing • 24
- PostScript
- Using • 38

Duplex item • 56

Duplex option

- Location • 4

Duplex printing • 6

- Setting in PostScript driver • 31

E

Email

- Event notification via • 9
- Printing via • 9

Enlarge image

- Setting in PostScript driver • 37

Enter key • 41

- Ethernet Menu • 60 → 61
 - AppSocket Enable • 60
 - AppSocket PDL • 60
 - Default Gateway • 61
 - EtherTalk Enable • 60
 - HTTP Enable • 61
 - IP Address • 61
 - IP Address Res • 61
 - IPP Enable • 61
 - LPR Banner • 60
 - LPR Enable • 60
 - LPR PDL • 60
 - Port Timeout • 61
 - SMB Enable • 60
 - SMB PDL • 60
 - Speed • 61
 - Sub Net Mask • 61
- Ethernet UTP connector

 - Location • 2

- EtherTalk Enable item • 60

F

Face down bin

- Location • 2

Face up bin

- Location • 2, 3

FAX Friendly

- Setting in PostScript driver • 27

Fax Friendly • 8

Flash memory

- Description • 102

Font Number item • 54

Fonts • 7

- Substitution table • 32

Form Feed item • 52

Form Length item • 54

Frame Type item • 64

Front cover

- Location • 2

front cover • 8

Front cover release

- Location • 2

Fuser cartridge

- Location • 3
- Replacing • 73

G

Grayscale

- Setting in PostScript driver • 27

H

Hard Drive

- Description • 102
- Initializing • 104
- Installing • 102 → 103

Hex Mode item • 68

HTTP Enable item
 In Ethernet Menu • 61
 In Token Ring Menu • 62

I

ICC Colorimetric
 Setting in PostScript driver • 30

ICC Perceptual
 Setting in PostScript driver • 30

ICC Saturation
 Setting in PostScript driver • 30

Image Color Matching (ICM) • 7

Imaging drum
 Replacing • 73

Installation
 Options • 101

Internet
 Also see CentreWare Internet Services

IP address
 Entering • 48

IP Address item
 In Ethernet Menu • 61
 In Token Ring Menu • 63

IP Address Res item
 In Ethernet Menu • 61
 In Token Ring Menu • 63

IPP Enable item
 In Ethernet Menu • 61
 In Token Ring Menu • 63

Item Down key • 42

Item Up key • 42

J

Job Menu • 52
 Cancel Job • 52
 Form Feed • 52
 Restart Printer • 52

L

LAA item • 63

Language item • 55

Line Termination item • 54

LPR Banner item
 In Ethernet Menu • 60
 In Token Ring Menu • 62

LPR Enable item
 In Ethernet Menu • 60
 In Token Ring Menu • 62

LPR PDL item
 In Ethernet Menu • 60
 In Token Ring Menu • 62

M

Macintosh
 Drivers for • 24

Magenta imaging drum
 Location • 3

Mail Send/Receive • 71

MBF Type item • 53

media
 supported sizes • 15

Memory
 Installing • 110 → 111

Menu Down key • 42

Menu Map
 Printing • 45

Menu Map item • 68

Menu Up key • 41

Menus
 Navigation • 44 → 45

Mirror Image
 Setting in PostScript driver • 32

N

N Pages Up
 Setting in PostScript driver • 38

NDS Context item • 65

NDS Tree item • 65

Negative Image
 Setting in PostScript driver • 32

Network operating systems • 6

Network Printer Services • 70

Novell Menu • 64 → 65
 Binary PostScript • 64
 Frame Type • 64
 NDS Context • 65
 NDS Tree • 65
 Novell PDL • 64
 Polling Interval • 65
 Port Enable • 64
 Primary Server • 65
 PServer Mode • 64
 PServer Name • 65

Novell PDL item • 64

O

On Line key • 41

Optional interface slot
 Location • 2

Orientation item • 54

Output bin
 Location • 2

P

Page Description Languages • 7

Page Policy
 Setting in PostScript driver • 35

Page Policy item • 55

- Pantone Profiles • 7
- Paper
 - Selecting for use • 13
 - Storing • 16
 - Unacceptable for use • 14
 - Weights supported • 13
- Paper loading
 - Tray 1 • 16
 - Tray 2 • 16
 - Tray 3 • 16
 - 100 sheet bypass feeder • 19, 20
- Paper output • 5
- Paper Size item • 55
- Paper sources • 5
- Paper Type item • 55
- Parallel connector
 - Location • 2
- Parallel Menu • 59
 - Bidirectional • 59
 - Parallel PDL • 59
 - Port Enable • 59
 - Port Timeout • 59
- Parallel PDL item • 59
- Password Menu • 52
- Passwords
 - Entering • 46, 47
- PCL Font List
 - Printing • 45
- PCL Font List item • 68
- PCL Menu • 54
 - Font Number • 54
 - Form Length • 54
 - Line Termination • 54
 - Orientation • 54
 - Pitch • 54
 - Point Size • 54
 - Symbol Set • 54
- PDF file format printing • 7
- Pitch item • 54
- Point Size item • 54
- Policy Timeout item • 56
- Polling Interval item • 65
- Port Enable item
 - In Novell Menu • 64
 - In Parallel Menu • 59
- Port Timeout item • 59
 - In Ethernet Menu • 61
 - In Token Ring Menu • 63
- PostScript
 - Printer driver • 38
- PostScript Font List
 - Printing • 45
- PostScript Menu • 58
 - Black Overprint • 58
 - Color Mode • 58
 - Print PostScript Errors • 58
 - Print Quality • 58
 - Process Grayscale • 58
- Power cord receptacle
 - Location • 2
- Power Saver item • 56
- Power switch
 - Location • 2
- Primary Server item • 65
- Print Diag Summary item • 66
- Print Menu • 68
 - Config Sheet • 68
 - Disk Directory • 68
 - Hex Mode • 68
 - Menu Map • 68
 - PCL Font List • 68
 - Print Quantity • 68
 - PS Demo Page • 68
 - PS Font List • 68
 - Restart Printer • 68
 - Select Tray • 68
 - Startup Page • 68
 - System Event Log • 68
- Print Network Summary item • 66
- Print PostScript Errors item • 58
- Print PQ Set item • 66
- Print Quality item • 58
- Print Quantity item
 - In Print Menu • 68
 - In Service Menu • 66
 - In System Menu • 56
- Print Service Pack item • 66
- Print Test Patterns item • 66
- Printer cleaning • 73
- Printer components • 2 → 4
- Printer documentation • 10 → 11
- Printer drivers
 - See Drivers
- Printer features • 5 → 9
- Printer Management Software CD • 11
- Printer reports
 - Printing • 45
 - Types • 45
- Problems
 - See Troubleshooting
- Process Grayscale Graphics
 - Setting in PostScript driver • 35
- Process Grayscale item • 58
- Product CD • 10
- Proof printing • 8, 46 → 47
 - PostScript jobs • 36

PS Demo Page item • 68
PS Font List item • 68
PServer Mode item • 64
PServer Name item • 65

R

Reduce image
 Setting in PostScript driver • 37

Reports
 Printing • 45

Resolution • 7

Restart Printer item
 In Job Menu • 52
 In Print Menu • 68

S

Secure printing • 8, 46, 47
 PostScript jobs • 36

Select Tray item
 In Print Menu • 68
 In Service Menu • 66

Separators • 8

Service Menu • 66 → 67
 Configuration Sheet • 66
 Print Diag Summary • 66
 Print Network Summary • 66
 Print PQ Set • 66
 Print Quantity • 66
 Print Service Pack • 66
 Print Test Patterns • 66
 Select Tray • 66
 Show Active Faults • 67
 Show CRU Usage • 66
 Show Event History • 67
 Show Page Counts • 66
 Show S/W Levels • 67

Show Active Faults item • 67

Show CRU Usage item • 66

Show Event History item • 67

Show Page Counts item • 66

Show S/W Levels item • 67

SMB Enable item
 In Ethernet Menu • 60
 In Token Ring Menu • 62

SMB PDL item
 In Ethernet Menu • 60
 In Token Ring Menu • 62

SnapColor • 8
 Setting in PostScript driver • 30

Source Routing item • 63

Speed item
 In Ethernet Menu • 61
 In Token Ring Menu • 63

Standard output bin
 Location • 2

Startup Page item • 68

Sub Net Mask item
 In Ethernet Menu • 61
 In Token Ring Menu • 63

Substitution table • 32

Symbol Set item • 54

System Event Log item • 68

System Menu • 55 → 56
 Defaults • 56
 Duplex • 56
 Language • 55
 Page Policy • 55
 Paper Size • 55
 Paper Type • 55
 Policy Timeout • 56
 Power Saver • 56
 Print Quantity • 56

T

Test Print
 Interpreting • 75
 Printing • 45

TIFF file format printing • 7

Token Ring Card
 Installing • 108 → 109

Token Ring Menu • 62 → 63
 AppSocket Enable • 62
 AppSocket PDL • 62
 Default Gateway • 63
 HTTP Enable • 62
 IP Address • 63
 IP Address Res • 63
 IPP Enable • 63
 LAA • 63
 LPR Banner • 62
 LPR Enable • 62
 LPR PDL • 62
 Port Timeout • 63
 SMB Enable • 62
 SMB PDL • 62
 Source Routing • 63
 Speed • 63
 Sub Net Mask • 63

Toner cartridge
 Replacing • 73

Top cover
 Location • 2

Top cover release
 Location • 2

Transfer belt
 Location • 3
 Replacing • 73

Transparency detection • 8

- Tray Menu • 53
 - MBF Type • 53
 - Tray Sequence • 53
 - Tray 1 Type • 53
 - Tray 2 Type • 53
 - Tray 3 Type • 53
- Tray Sequence item • 53
- Tray 1
 - Description of • 5
 - Location • 2
- Tray 1 level indicator
 - Location • 2
- Tray 1 Type item • 53
- Tray 2
 - Description of • 5
 - Location • 4
- Tray 2 Type item • 53
- Tray 3
 - Description of • 5
 - Location • 4
- Tray 3 Type item • 53
- Troubleshooting
 - Operation problems • 98 → 100
- TrueType fonts
 - PCL jobs • 37

- 2-sided printing • 6

U

- UNIX
 - Drivers for • 24

V

- Value Down key • 43
- Value Up key • 43

W

- Watermarks
 - Setting in PostScript jobs • 38
- Windows NT 4.0
 - Drivers for • 24
- Windows 2000
 - Drivers for • 24
- Windows 95/98
 - Drivers for • 24

Y

- Yellow imaging drum
 - Location • 3

Numerics

- 100 sheet bypass feeder
 - Description of • 5
 - Location • 2
 - Paper loading • 19, 20
- 100 sheet bypass feeder release
 - Location • 2

